

LOW HEADROOM-FRONT TRACK

SHEET _____ OF _____ DATE _____

JOB _____

CONTRACTOR _____

ARCHITECT _____

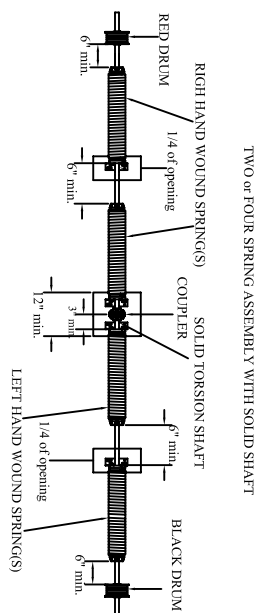
DISTRIBUTOR _____

REV. #: **2** **Controlled**

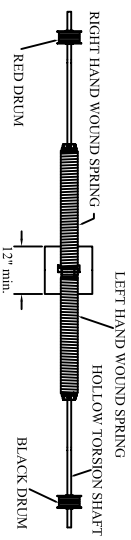
SCALE - NONE

DWG. NO. **4121-1014**

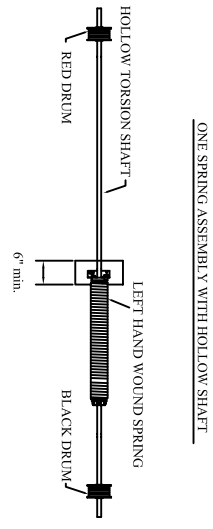
DRAWN BY: **SRU**



TWO or FOUR SPRING ASSEMBLY WITH HOLLOW SHAFT

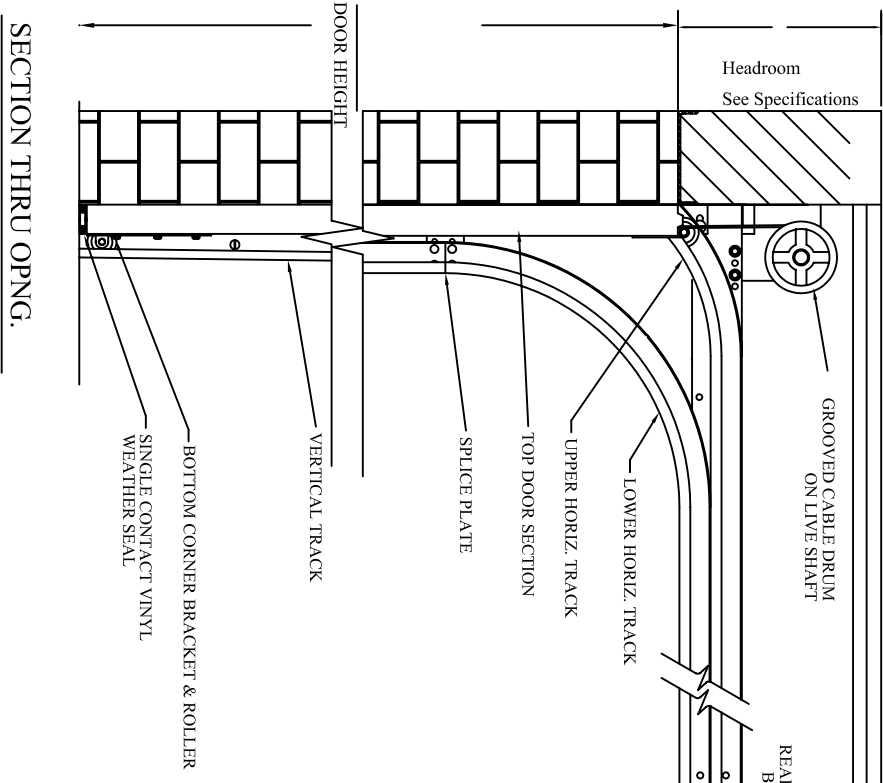


TWO SPRING ASSEMBLY WITH HOLLOW SHAFT



ONE SPRING ASSEMBLY WITH HOLLOW SHAFT

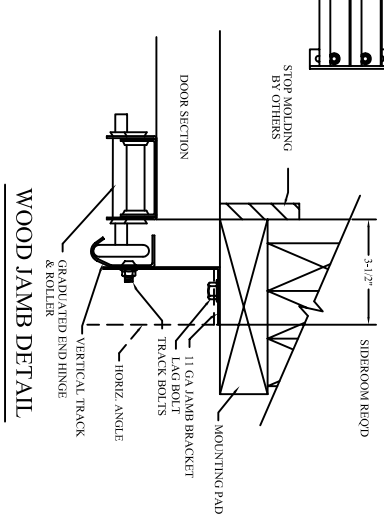
DOOR	QUANTITY	WIDTH	HEIGHT	TRACK SIZE (2" or 3")	Mounting Type (Bracket, Angle-In or Angle-Out)	JAMB (Wood or Steel)	Spring Cycles (10,000 - 25,000 or 50,000 - 100,000)	CENTER of SHAFT	SPRING QUANTITY	SPRING SIZE
A										
B										
C										



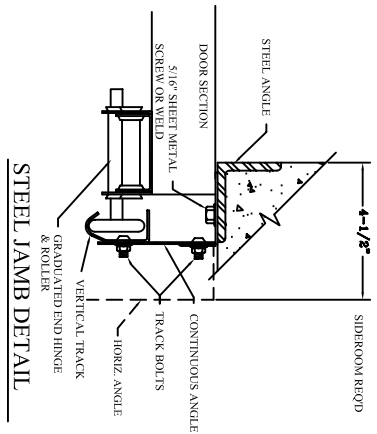
IN ADDITION TO THE BACK HANGER CENTER HANGERS ARE REQUIRED
AS FOLLOWS:
83" - 12" HIGH - 1 CTR HANGER
123" - 16" HIGH - 2 CTR HANGERS

Trolley Operator:
 YES
 NO
 By Others

MODEL _____



WOOD JAMB DETAIL



STEEL JAMB DETAIL

Residential Doors use 12"R Horizontal Track.
Commercial Doors use 15"R Horizontal Track.

DWG is not all inclusive.
Designed to be accompanied by
Arch. Specs & Door Section Dwg.