

VERTICAL LIFT TRACK

SHEET _____ OF _____ DATE _____

JOB _____

CONTRACTOR _____

ARCHITECT _____

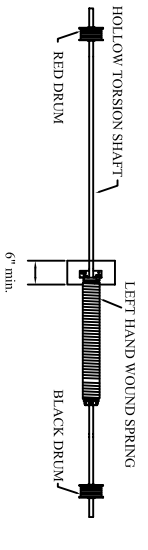
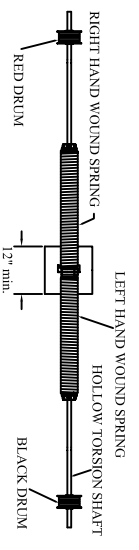
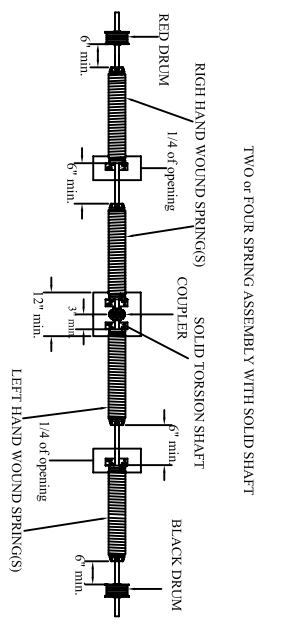
DISTRIBUTOR _____

REV. #: 2 **Controlled**

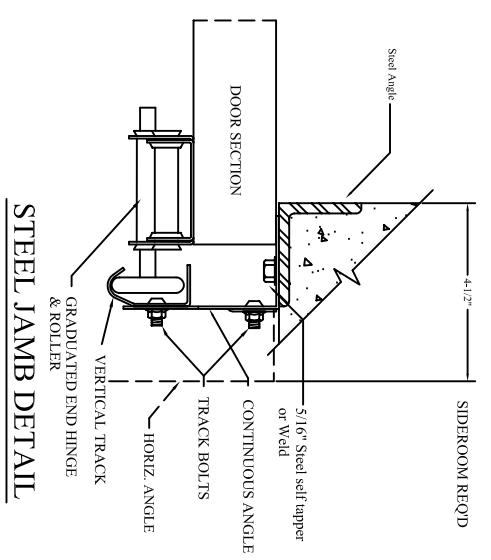
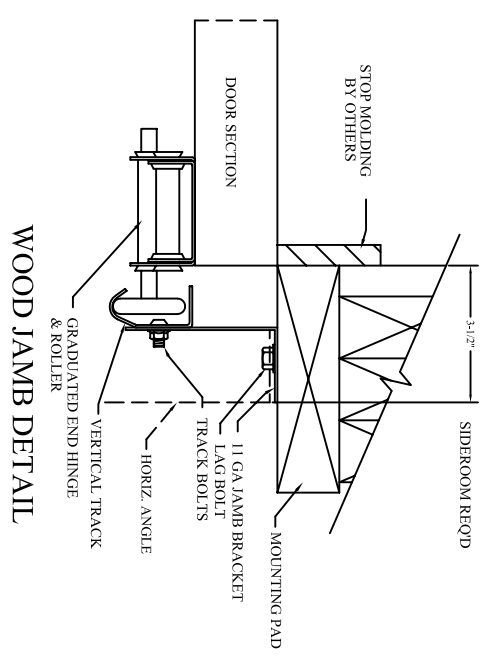
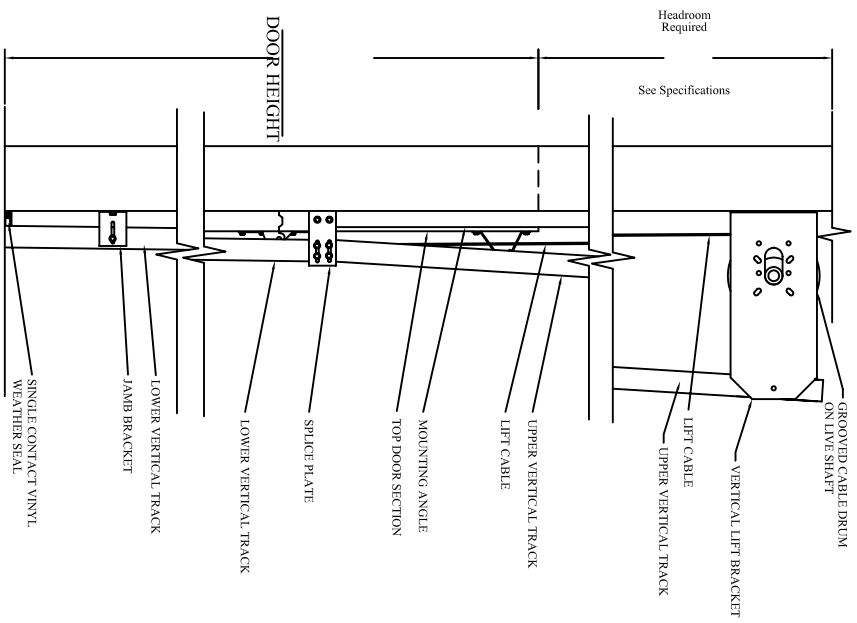
DWG. NO. 4121-1017

SCALE - NONE

DRAWN BY: SEU



Jackshaft Operator: _____ MODEL _____
(not shown)
 YES
 NO
 By Others



DOOR	QUANTITY	WIDTH	HEIGHT	TRACK SIZE (2" or 3")	SIZE (Wood or Steel)	Mounting Type (Bracket, Angle-In or Angle-Out)	Spring Cycles (10,000 - 25,000 or 50,000 - 100,000)	CENTER of SHAFT	SPRING QUANTITY	SPRING SIZE
A										
B										
C										

DWG is not all inclusive. Designed to be accompanied by Arch. Specs & Door Section Dwg.