

# STANDARD LIFT TRACK

SHEET      OF      DATE     

JOB     

CONTRACTOR     

ARCHITECT     

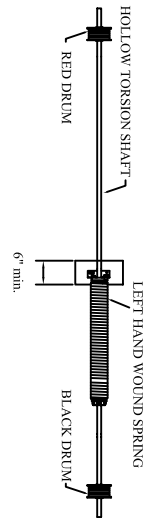
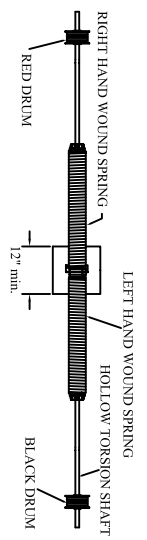
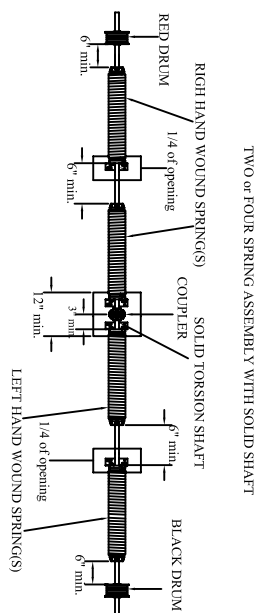
DISTRIBUTOR     

REV. #: 3 Controlled

SCALE - NONE

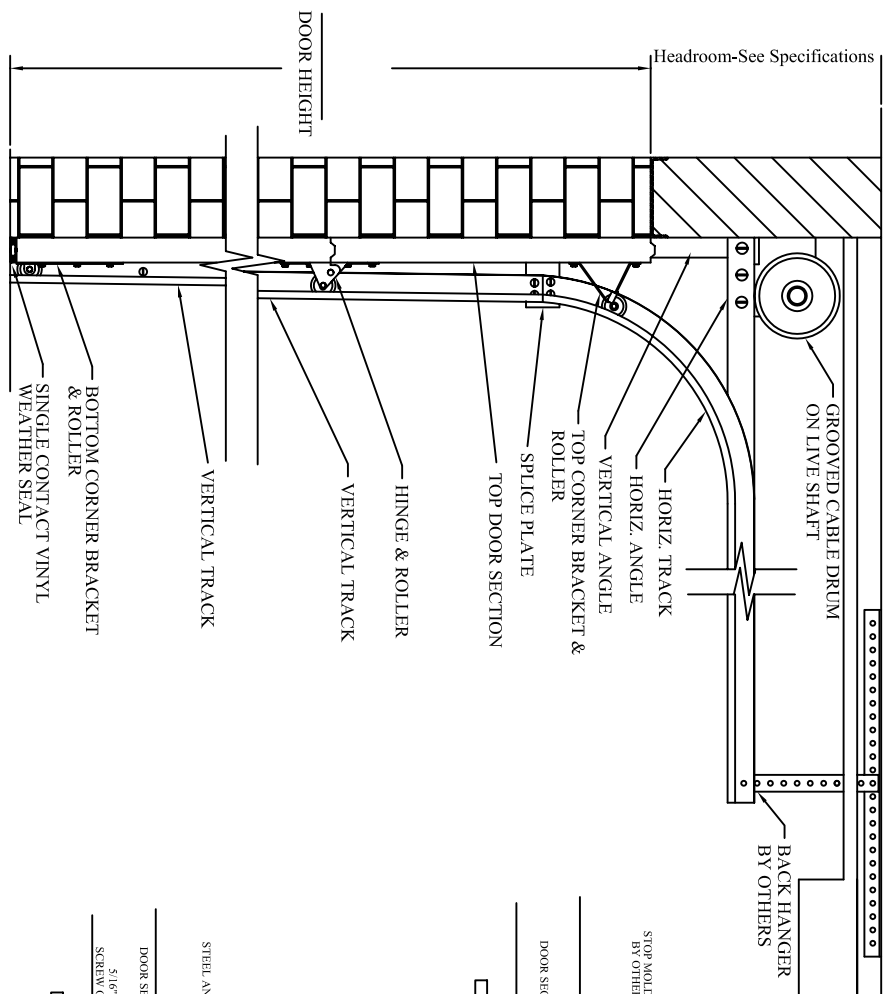
DWG. NO. 4121-1013

DRAWN BY: SEU



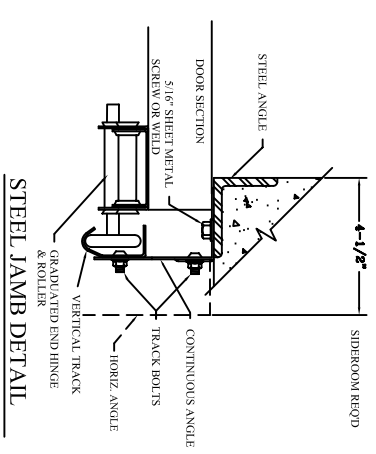
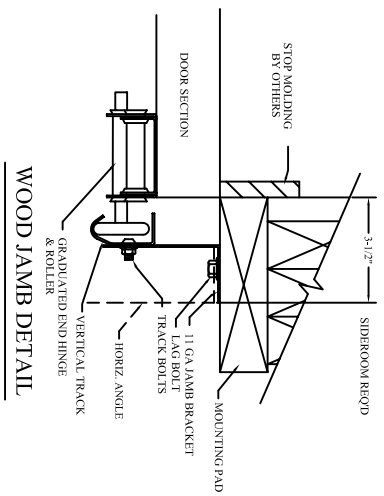
DOOR QUANTITY	WIDTH	HEIGHT	TRACK SIZE (2" or 3")	TRACK RADIUS (12" or 15")	Mounting Type (Bracket, Judge-In or Judge-Out)	JAMB (Wood or Steel)	Spring Cycles (10,000 - 25,000 or 50,000 - 100,000)	CENTER of SHAFT	Headroom	Additional Notes
A										
B										
C										

IN ADDITION TO THE BACK HANGER CENTER HANGERS ARE REQUIRED AS FOLLOWS:  
 83" - 12" HIGH - 1 CTR HANGER  
 123" - 16" HIGH - 2 CTR HANGERS  
 163" - 18" HIGH - 3 CTR HANGERS  
 183" - 20" HIGH - 4 CTR HANGERS



Trolley Operator:      MODEL     

YES  
 NO  
 By Others



DWG is not all inclusive. Designed to be accompanied by Arch. Specs & Door Section Dwg.