

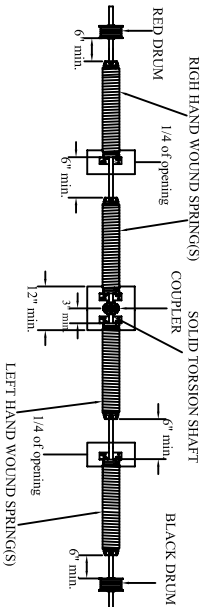
**SHOP DRAWING**  
**BEMIDJI, MN 56601**

# LOW HEADROOM-REAR TRACK

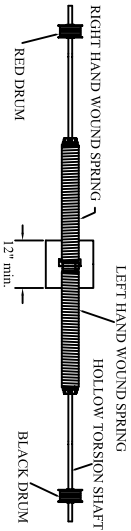
**SHEET** \_\_\_\_\_ **OF** \_\_\_\_\_ **DATE** \_\_\_\_\_  
**JOB** \_\_\_\_\_  
**CONTRACTOR** \_\_\_\_\_  
**ARCHITECT** \_\_\_\_\_  
**DISTRIBUTOR** \_\_\_\_\_

**REV. #:** 3 **DWG. NO.:** 4121-1015  
**SCALE - NONE** **DRAWN BY:** SRU

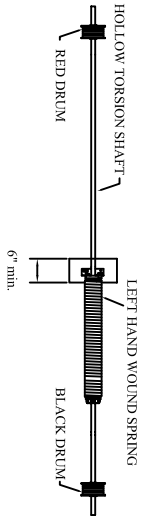
**Controlled**



TWO or FOUR SPRING ASSEMBLY WITH SOLID SHAFT



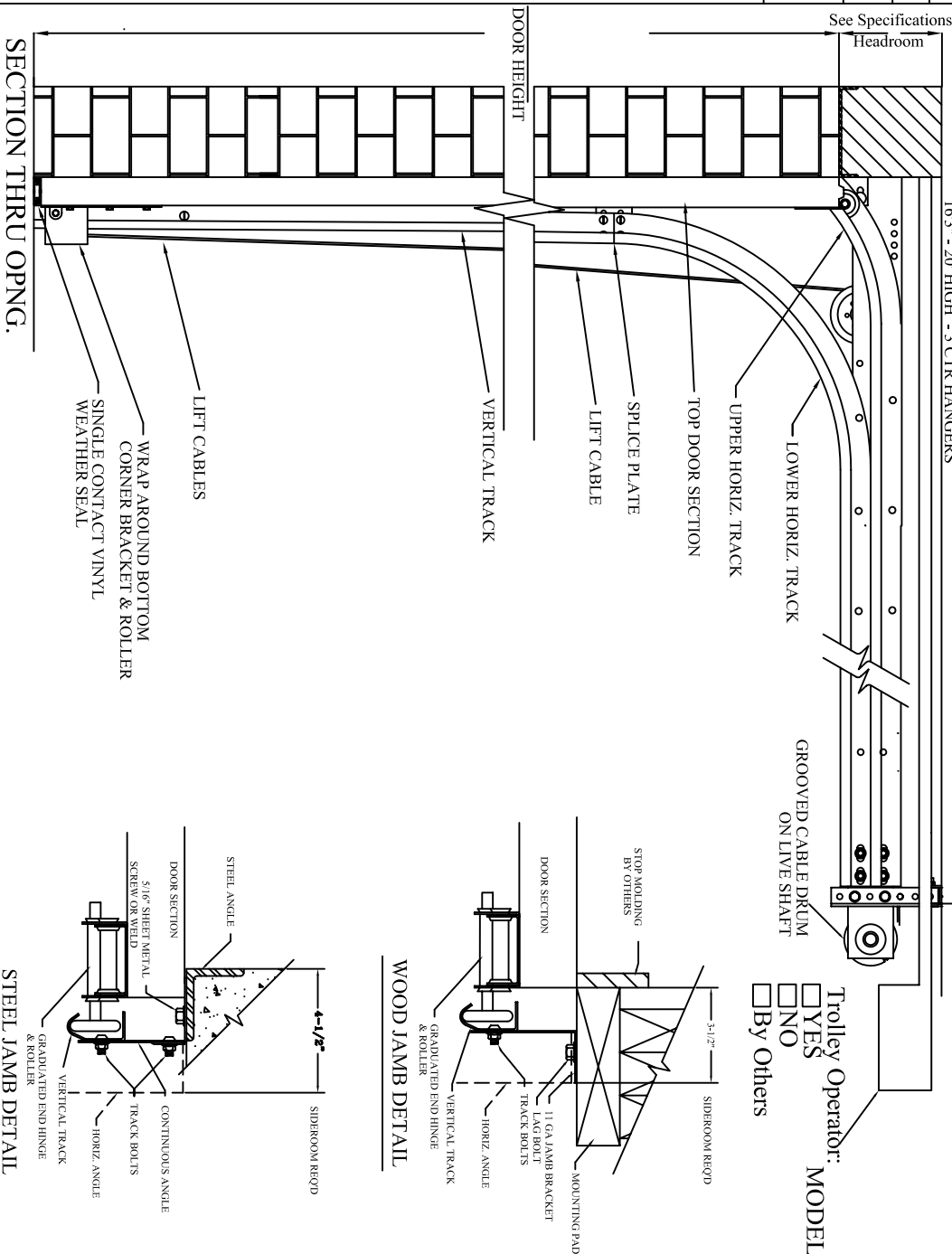
ONE SPRING ASSEMBLY WITH HOLLOW SHAFT



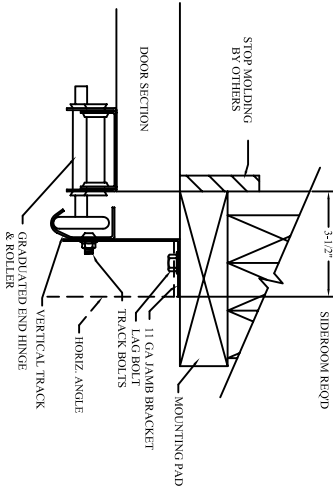
ONE SPRING ASSEMBLY WITH HOLLOW SHAFT

IN ADDITION TO THE BACK HANGER  
 CENTER HANGERS ARE REQUIRED  
 AS FOLLOWS:  
 83" - 12' HIGH - 1 CTR HANGER  
 123" - 16' HIGH - 2 CTR HANGERS  
 163" - 20' HIGH - 3 CTR HANGERS

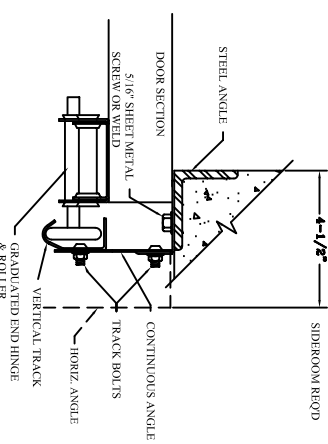
REAR HANGER  
 BY OTHERS



WOOD JAMB DETAIL



STEEL JAMB DETAIL



DOOR QUANTITY	WIDTH	HEIGHT	TRACK SIZE (2" or 3")	Mounting Type (Bracket, Angle-Out)	JAMB (Wood or Steel)	Spring Cycles (10,000 - 25,000 / 50,000 - 100,000)	CENTER of SHAFT	Headroom	Additional notes
A									
B									
C									

Residential Doors use 12"R Horizontal Track.  
 Commercial Doors use 15"R Horizontal Track.  
 7" SIDEROOM REQUIRED AT REAR OF HORIZ. TRACKS.

DWG is not all inclusive.  
 Designed to be accompanied by  
 Arch. Specs & Door Section Dwg.