

VERTICAL LIFT TRACK

SHEET OF DATE

CONTRACTOR

ARCHITECT

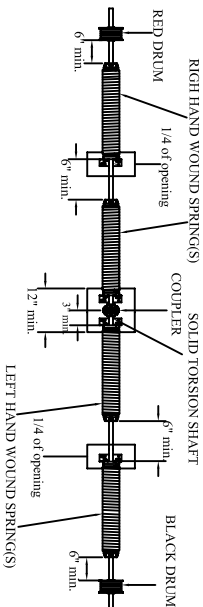
DISTRIBUTOR

REV. #: 3 **Controlled**

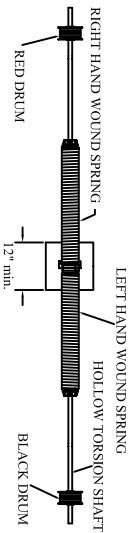
SCALE - NONE

DWG. NO. 4121-1017

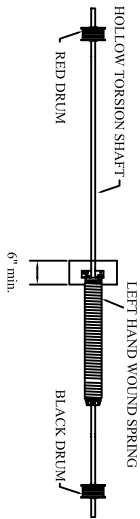
DRAWN BY: SEU



TWO or FOUR SPRING ASSEMBLY WITH SOLID SHAFT

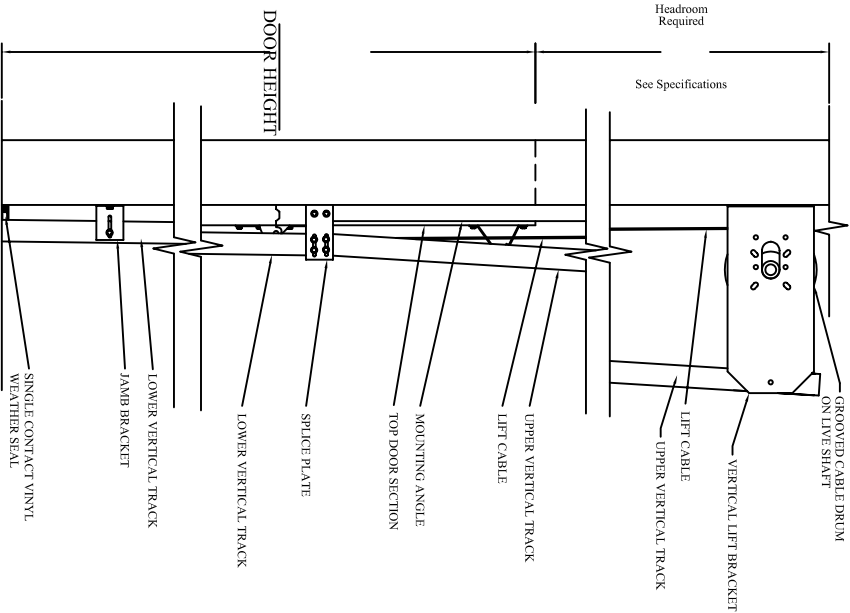


TWO SPRING ASSEMBLY WITH HOLLOW SHAFT

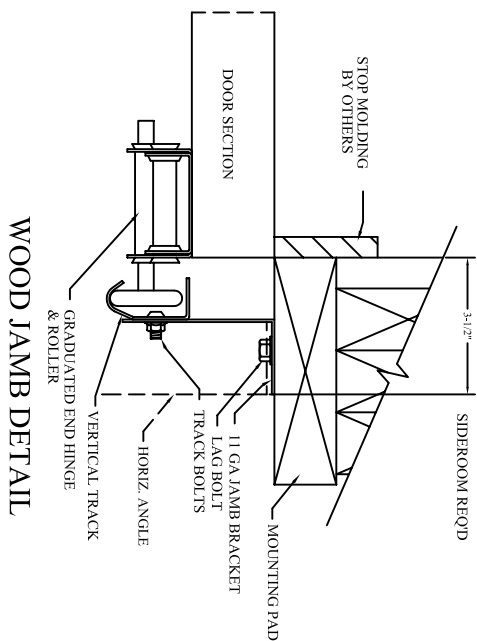


ONE SPRING ASSEMBLY WITH HOLLOW SHAFT

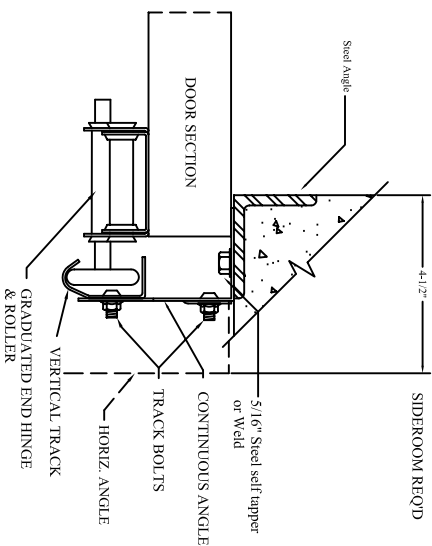
Jackshaft Operator: MODEL
(not shown)
 YES
 NO
 By Others



SECTION AT SIDE OF DOOR



WOOD JAMB DETAIL



STEEL JAMB DETAIL

DOOR	QUANTITY	WIDTH	HEIGHT	TRACK SIZE (2" or 3")	SIZE (Wood or Steel)	Mounting Type (Bracket, Angle-In or Angle-Out)	Spring Cycles (10,000 - 25,000 or 50,000 - 100,000)	CENTER of SHAFT	Headroom	Additional Notes
A										
B										
C										

DWG is not all inclusive. Designed to be accompanied by Arch. Specs & Door Section Dwg.