

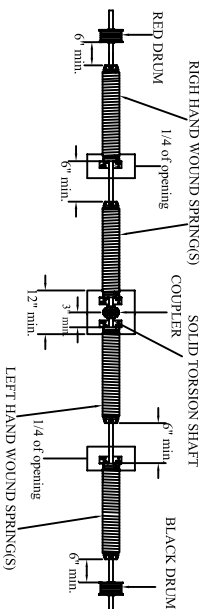
PITCHED TRACK

SHEET _____ OF _____ DATE _____

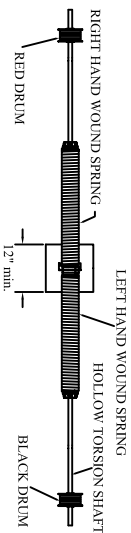
CONTRACTOR _____

ARCHITECT _____
 DISTRIBUTOR _____

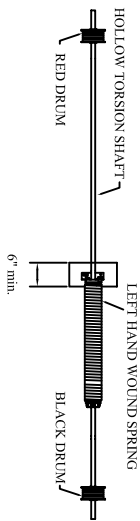
REV. #: 3 Controlled DWG. NO. 4121-1018
 SCALE - NONE DRAWN BY: SEU



TWO or FOUR SPRING ASSEMBLY WITH SOLID SHAFT



TWO SPRING ASSEMBLY WITH HOLLOW SHAFT

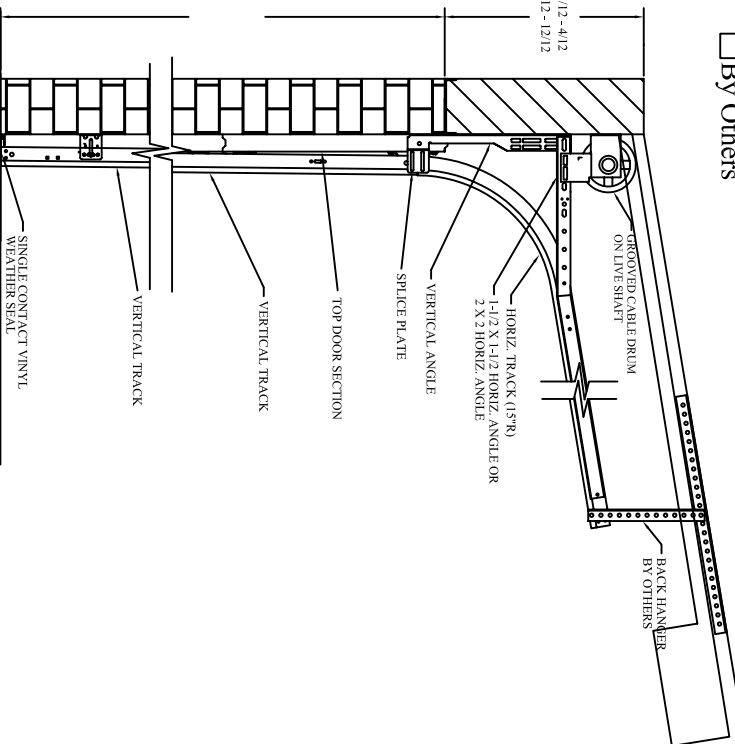


ONE SPRING ASSEMBLY WITH HOLLOW SHAFT

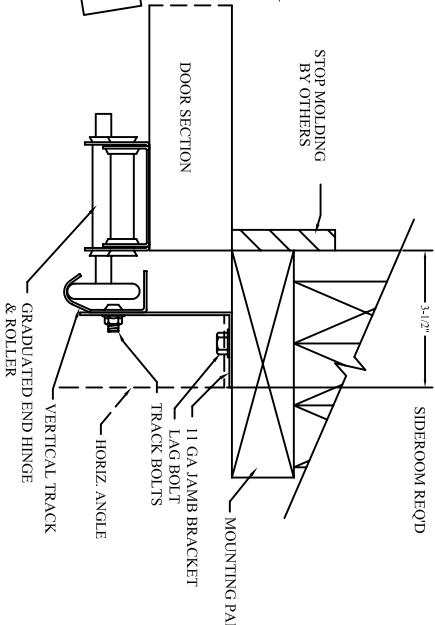
Jackshaft Operator: _____ MODEL _____
 (not shown)
 YES
 NO
 By Others

Trolley Operator: _____ MODEL _____
 YES
 NO
 By Others

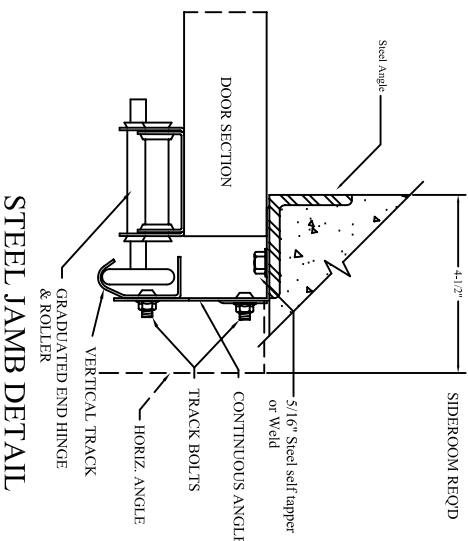
IN ADDITION TO THE BACK HANGER CENTER HANGERS ARE REQUIRED AS FOLLOWS:
 8'3" - 12' HIGH - 1 CTR HANGER
 12'3" - 16' HIGH - 2 CTR HANGERS
 16'3" - 20' HIGH - 3 CTR HANGERS



SECTION AT SIDE OF DOOR



WOOD JAMB DETAIL



STEEL JAMB DETAIL

DOOR	QUANTITY	WIDTH	HEIGHT	TRACK SIZE (2" or 3")	SIZE (Wood or Steel)	Mounting Type (Bracket, Angle-In or Angle-Out)	Spring Cycles (10,000 - 25,000 or 50,000 - 100,000)	CENTER of SHAFT	Headroom	Additional Notes
A										
B										
C										

DWG is not all inclusive. Designed to be accompanied by Arch. Specs & Door Section Dwg.