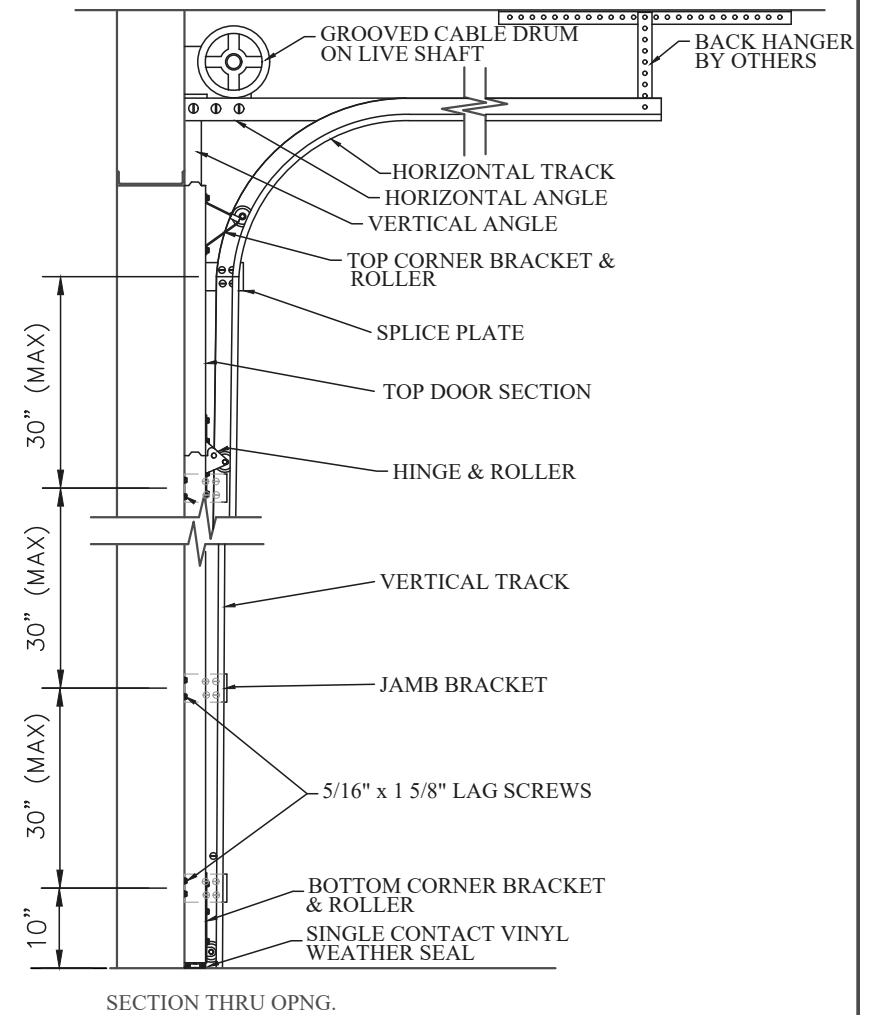
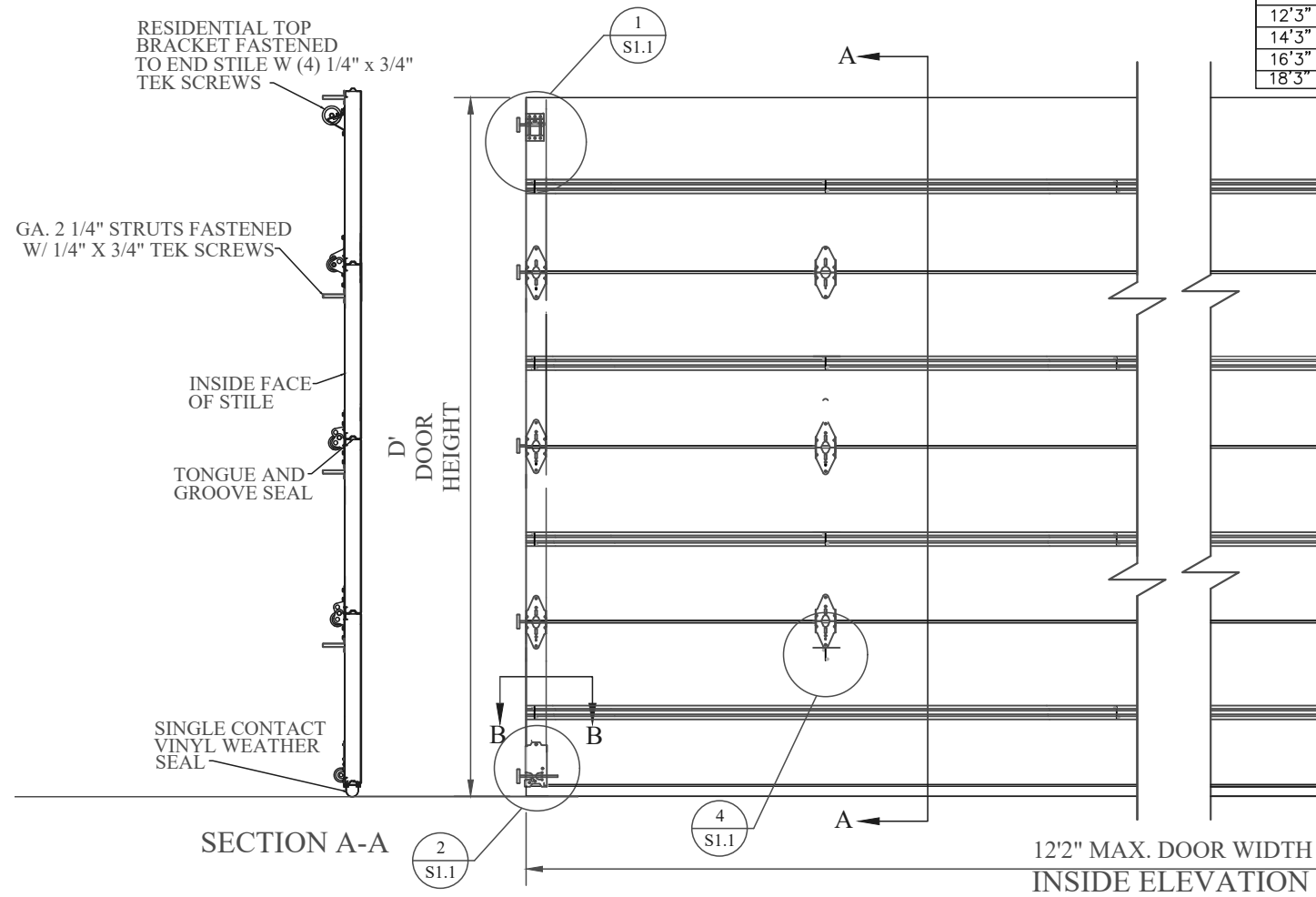


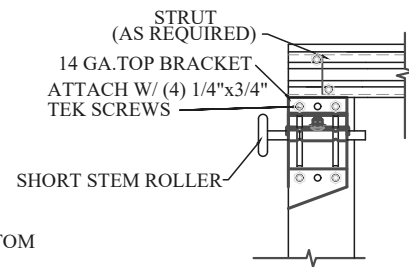
D	# OF STRUTS
6' to 8'	4 STRUTS
8'3" to 10'	5 STRUTS
10'3" to 12'	6 STRUTS
12'3" to 14'	7 STRUTS
14'3" to 16'	8 STRUTS
16'3" to 18'	9 STRUTS
18'3" to 20'	10 STRUTS

PLACE ONE STRUT ON EVERY SECTION

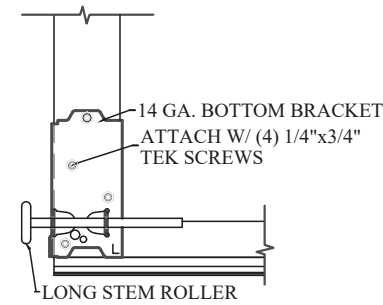


**NOTES:**

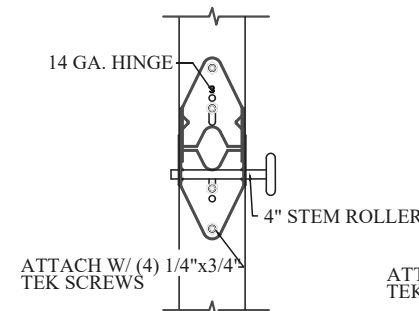
- \* DOORS & HARDWARE WILL BE DESIGNED & MANUFACTURED & INSTALLED ACCORDING TO STANDARDS ESTABLISHED BY THE DOOR ACCESS SYSTEMS MANUFACTURING ASSOCIATION (DASMA).
- \* IN DOOR SECTIONS WHERE WINDOW LITES ARE INSTALLED, STRUTS MAY BE RELOCATED OVER HINGE LEAFS TO AVOID OBSTRUCTION.
- \* AN INSIDE SLIDE LOCK SHOULD BE MOUNTED ON END STILE APPROXIMATELY 31" FROM BOTTOM OF DOOR ON THE INTERIOR LEFT.



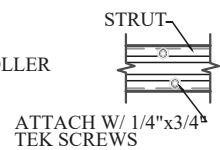
TOP BRACKET DETAIL  
DETAIL 1/S1.1



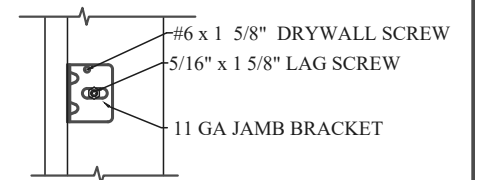
BOTTOM BRACKET DETAIL  
DETAIL 2/S1.1



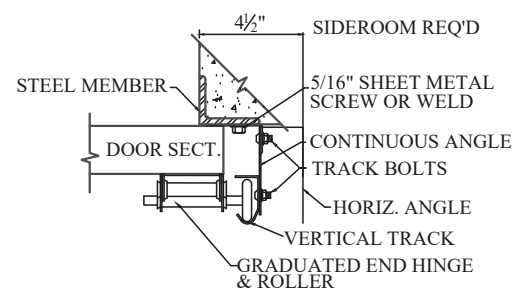
END HINGE DETAIL  
DETAIL 3/S1.1



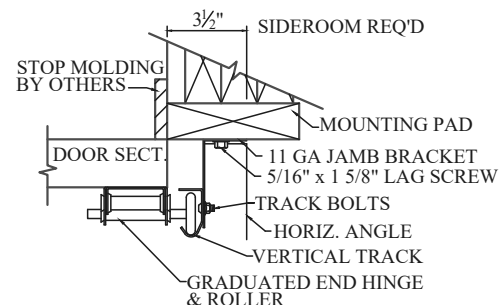
STRUT DETAIL  
DETAIL 4/S1.1



JAMB BRACKET DETAIL  
DETAIL 5/S1.1



STEEL JAMB DETAIL (TYPICAL)  
SECTION 'B-B'



WOOD JAMB DETAIL (TYPICAL)  
SECTION 'B-B'

MODELS: ALL MODELS  
 DESIGN PRESSURE +12.4/-13.8 PSF  
 TEST PRESSURE +18.6/-20.7 PSF  
 TESTED PER THE APPLICABLE REQUIREMENTS OF:  
 Pressures conform to ASCE-7-10 with the following parameters:  
 115 mph ultimate design wind speed  
 Exposure B  
 ASTM: E 330 ANSI/DASMA 108-2002

NOTE: THE DESIGN OF SUPPORTING STRUCTURAL ELEMENTS SHALL BE THE RESPONSIBILITY OF THE PROFESSIONAL OF RECORD FOR THE BUILDING OR STRUCTURE IN ACCORDANCE WITH CURRENT BUILDING CODES



BEMIDJI, MN 56601

**ENGINEERING DRAWING**

TITLE		12'2" MAX. WIDTH, WIND LOAD RATED DOOR	
MODEL #	AR, ARL, LP, TR, TF-2, AR, ARL LP, TF, TAS, TR-3 AR, ARL, LP, TR, TF-138	REV. NO.	0
SCALE	N/A	SHEET	OF
		DATE	