

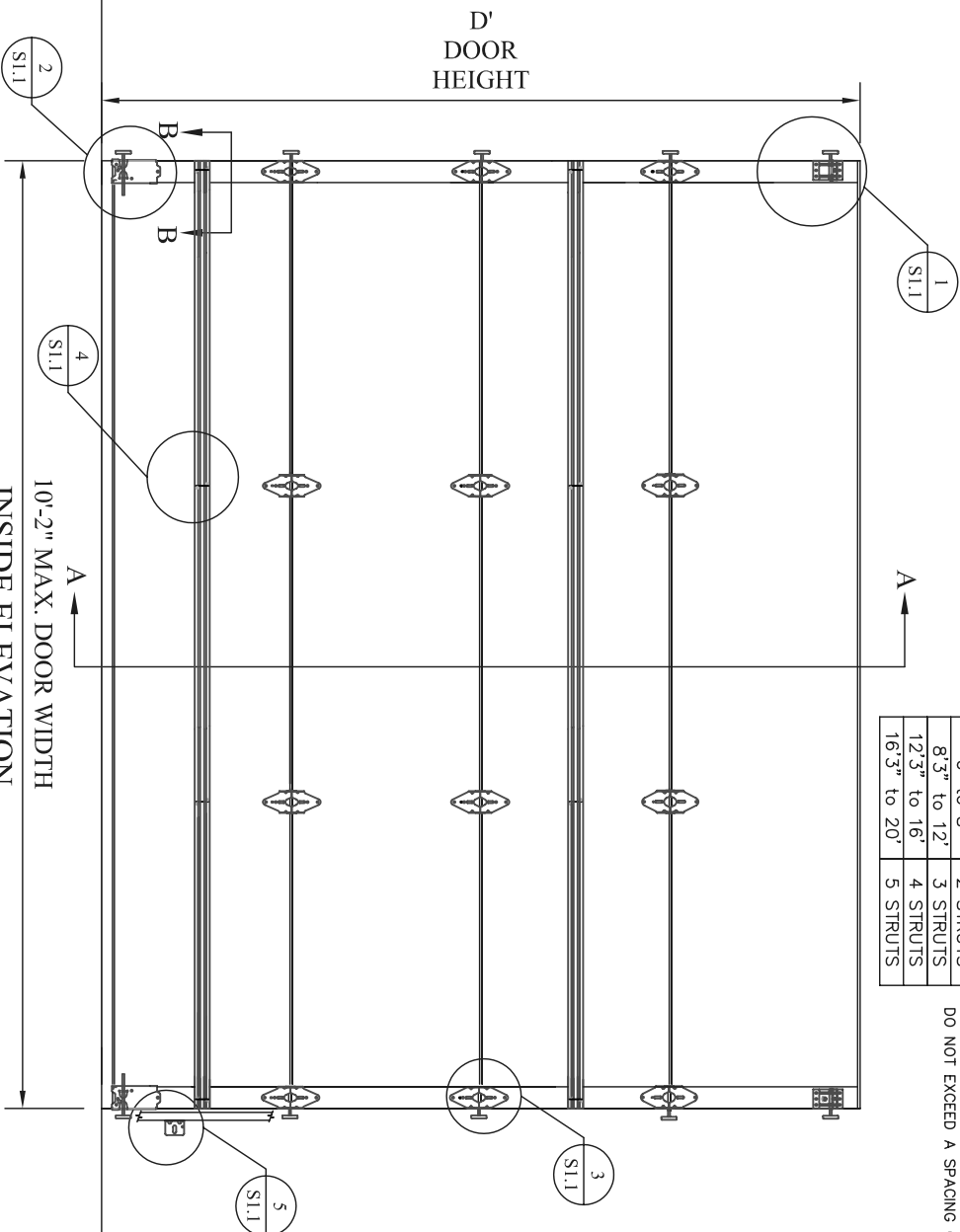
RESIDENTIAL TOP BRACKET FASTENED TO END STILE W/ (4) 1/4" x 3/4" TEK SCREWS

22 GA. 2 1/4" STRUTS FASTENED W/ 1/4" X 3/4" TEK SCREWS

INSIDE FACE OF STILE  
TONGUE AND GROOVE SEAL

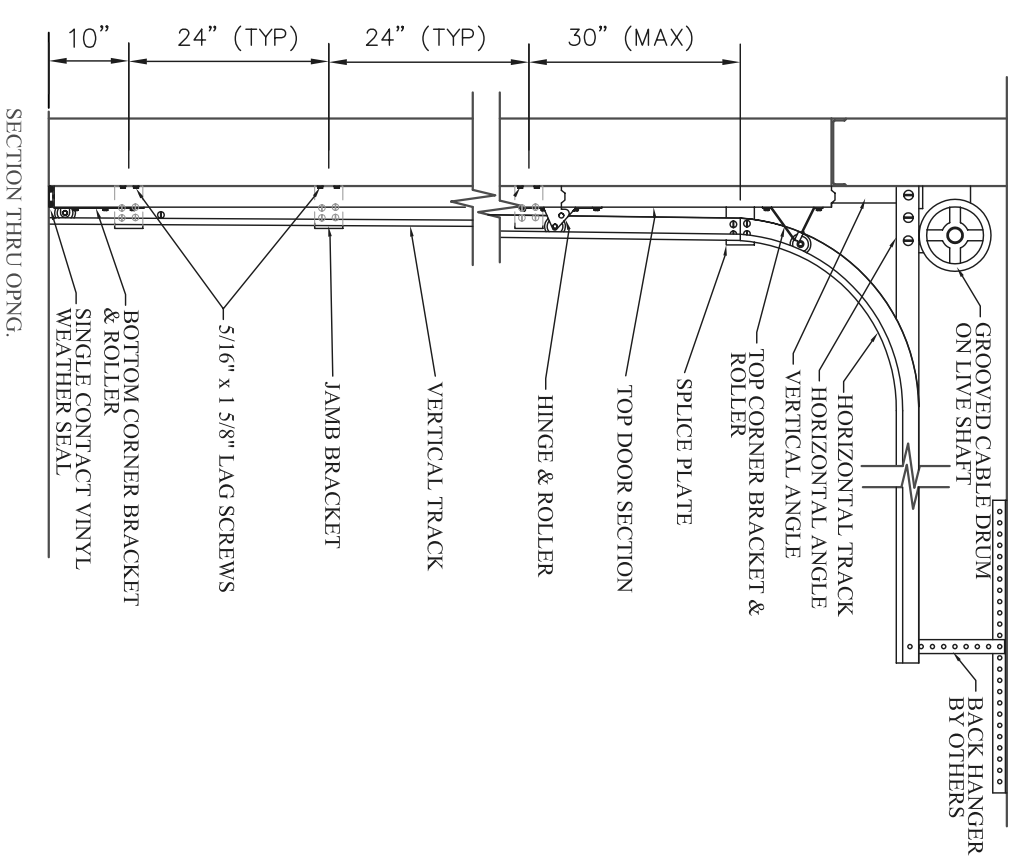
SINGLE CONTACT VINYL WEATHER SEAL

SECTION A-A



D	# OF STRUTS
6' to 8'	2 STRUTS
8'3\"/>	

PLACE ONE STRUT ON BOTTOM SECTION, PLACE ADDITIONAL STRUTS ON EVERY OTHER DOOR SECTION DO NOT EXCEED A SPACING OF 48"



- NOTES:**
- \* DOORS & HARDWARE WILL BE DESIGNED & MANUFACTURED & INSTALLED ACCORDING TO STANDARDS ESTABLISHED BY THE DOOR ACCESS SYSTEMS MANUFACTURING ASSOCIATION (DASMA).
  - \* IN DOOR SECTIONS WHERE WINDOW LITES ARE INSTALLED, STRUTS MAY BE RELOCATED OVER HINGE LEAFS TO AVOID OBSTRUCTION.
  - \* AN INSIDE SLIDE LOCK SHOULD BE MOUNTED ON END STILE APPROXIMATELY 31" FROM BOTTOM OF DOOR ON THE INTERIOR LEFT.

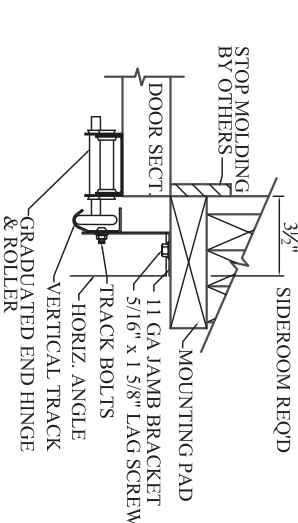
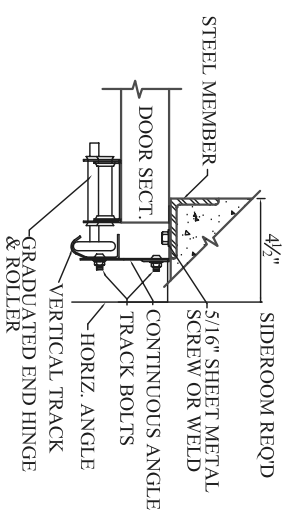
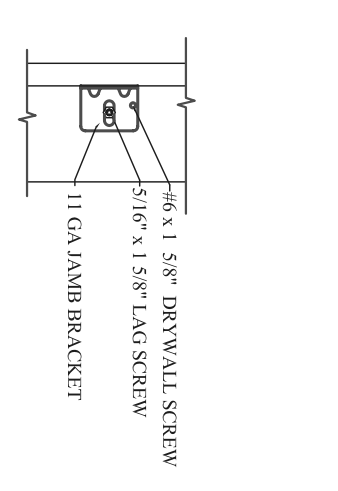
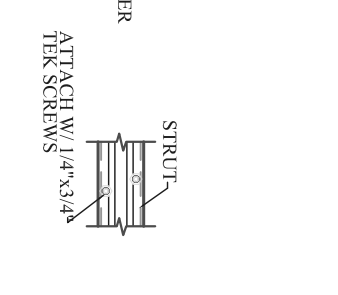
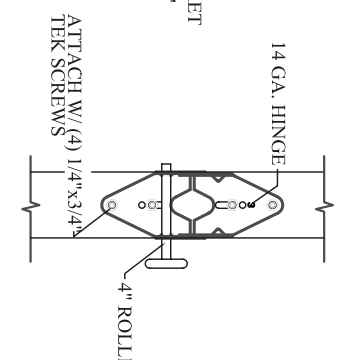
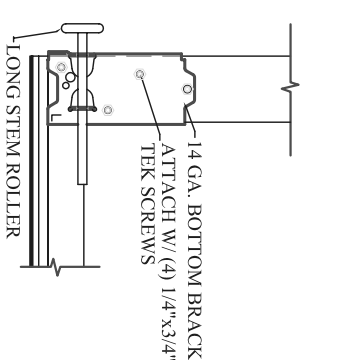
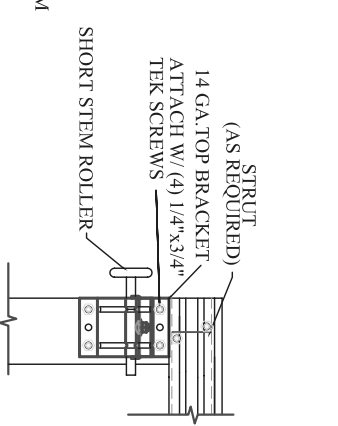
TOP BRACKET DETAIL  
DETAIL 1/SI.1

BOTTOM BRACKET DETAIL  
DETAIL 2/SI.1

END HINGE DETAIL  
DETAIL 3/SI.1

STRUT DETAIL  
DETAIL 4/SI.1

JAMB BRACKET DETAIL  
DETAIL 5/SI.1



NOTE: THE DESIGN OF SUPPORTING STRUCTURAL ELEMENTS SHALL BE THE RESPONSIBILITY OF THE PROFESSIONAL OF RECORD FOR THE BUILDING OR STRUCTURE IN ACCORDANCE WITH CURRENT BUILDING CODES

TESTED PER THE APPLICABLE REQUIREMENTS OF:  
ASTM: E 330 ANSI/DASMA 108-2002

TEST PRESSURE +19.2-22.2 PSF  
DESIGN PRESSURE +12.8/-14.8 PSF  
MODELS: TR-138, TF-138, TF-2, AR-138, SR SERIES

**northcentral**  
DOOR COMPANY  
BEMIDJ, MN 56601

**ENGINEERING DRAWING**

**TITLE**  
10' 2" MAX. WIDTH, WIND LOAD RATED DOOR

**MODEL #** TR-138, TF-138, AR-138, LP-2, TF-2, AR-2000, TAS III

**SCALE** - N/A

**REV. NO.** 3 **OF** \_\_\_\_\_  
**SHEET** \_\_\_\_\_  
**DATE** \_\_\_\_\_