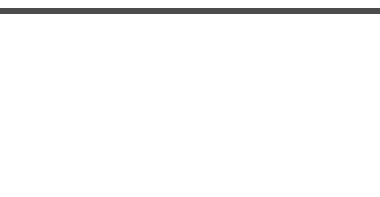
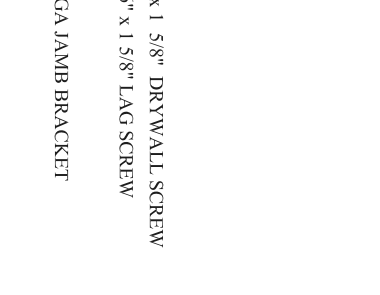
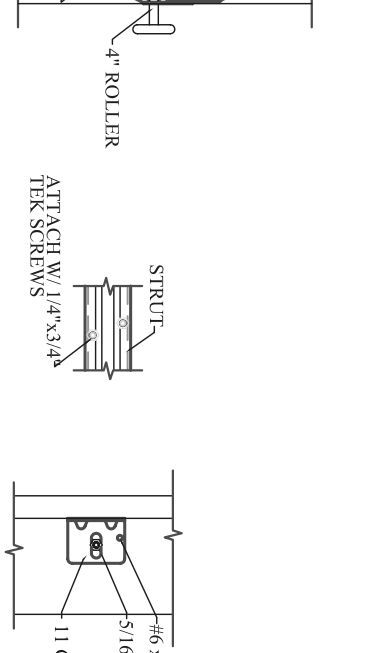
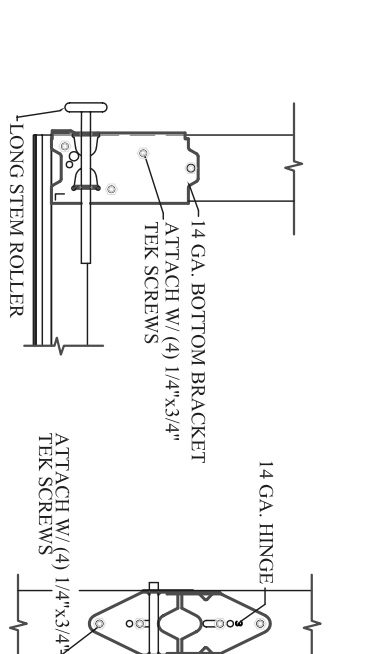
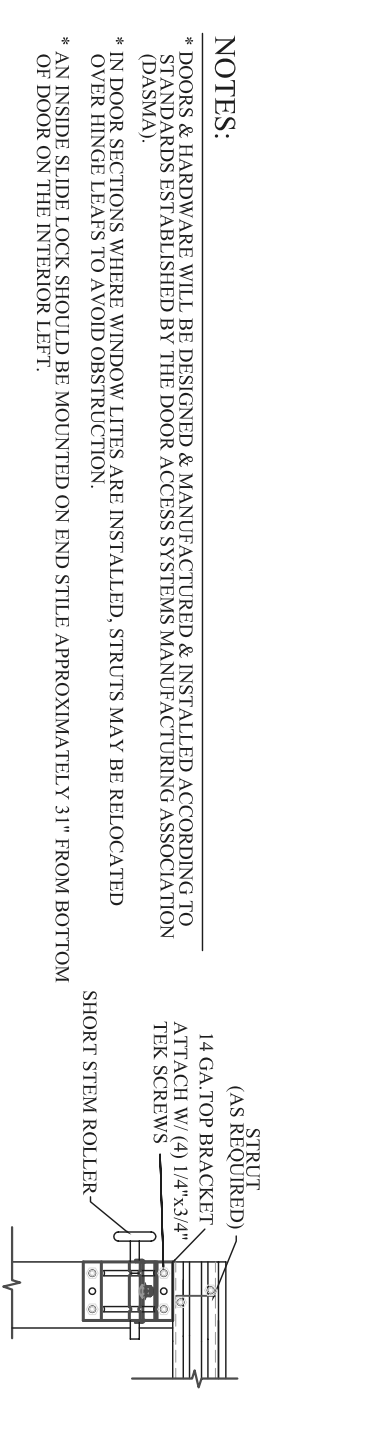
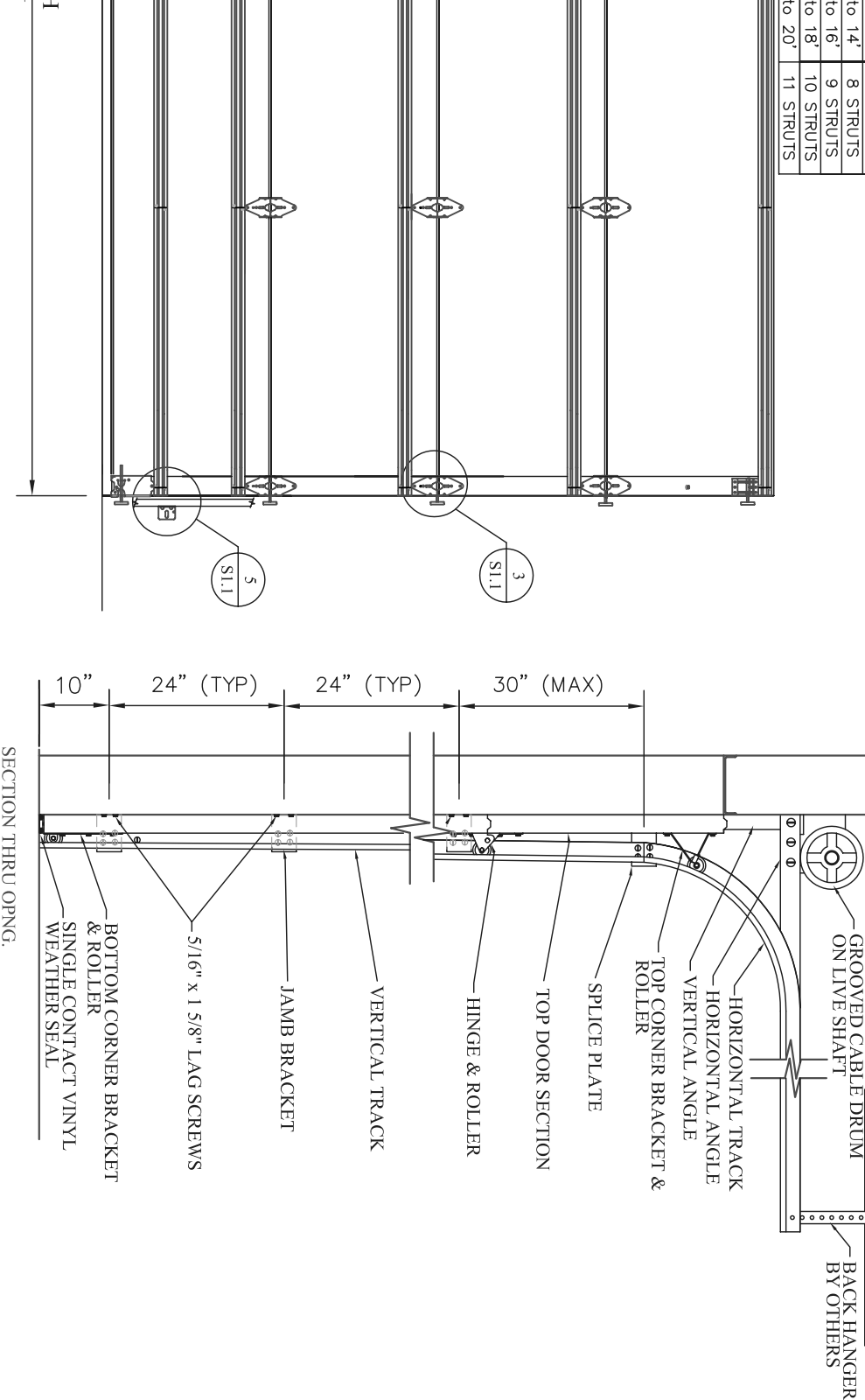
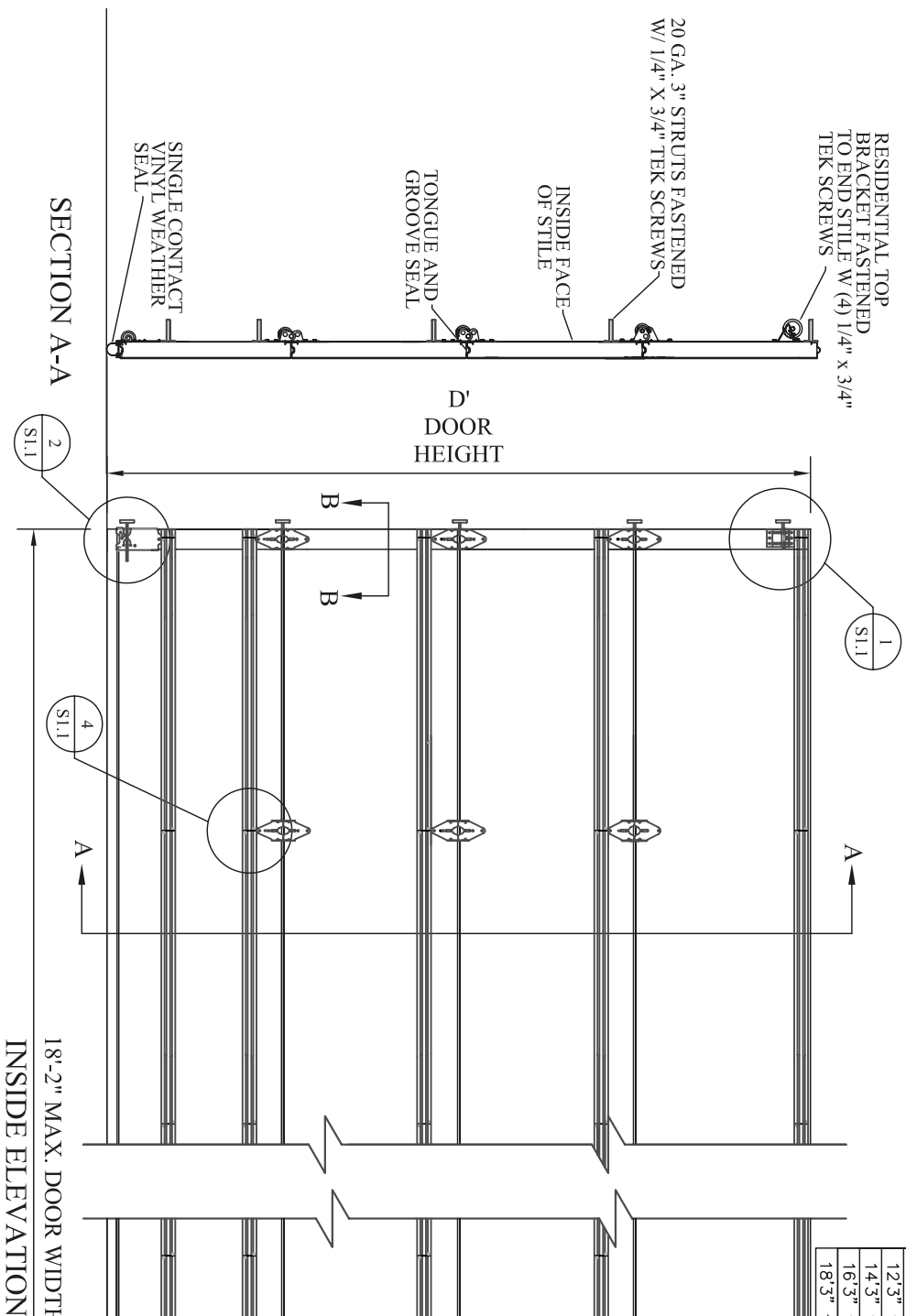
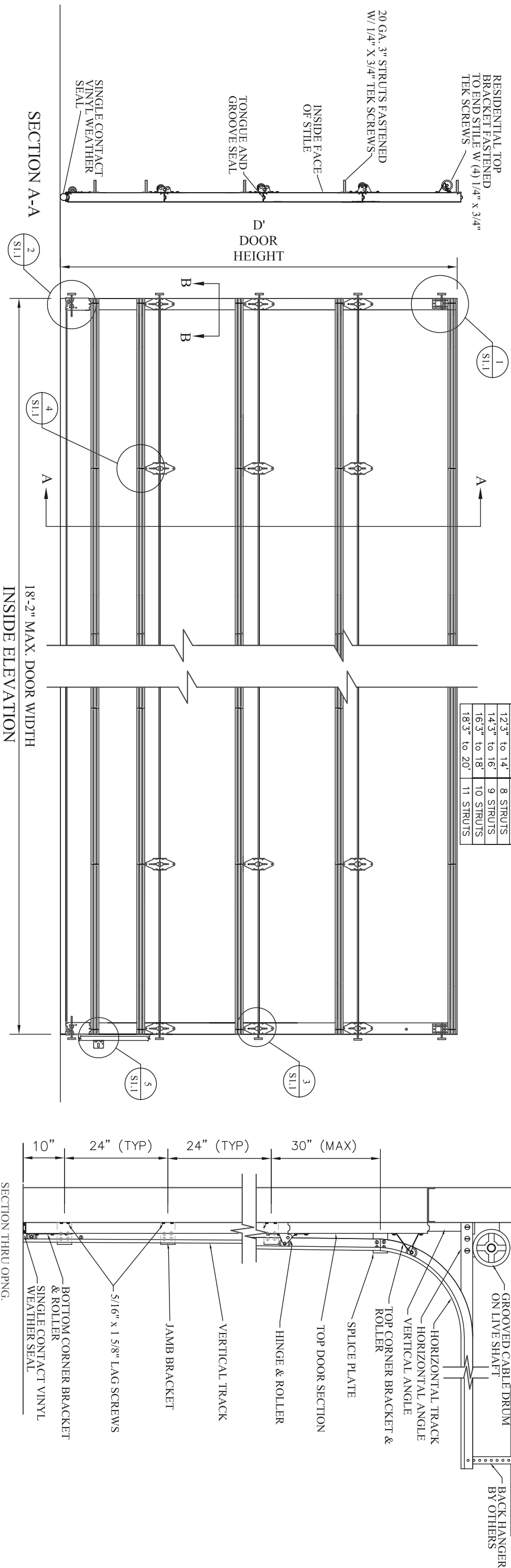


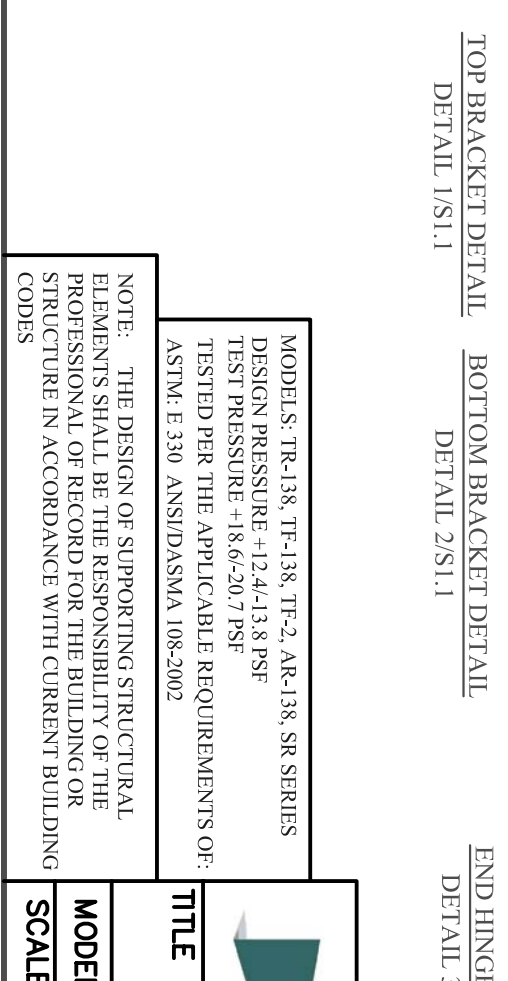
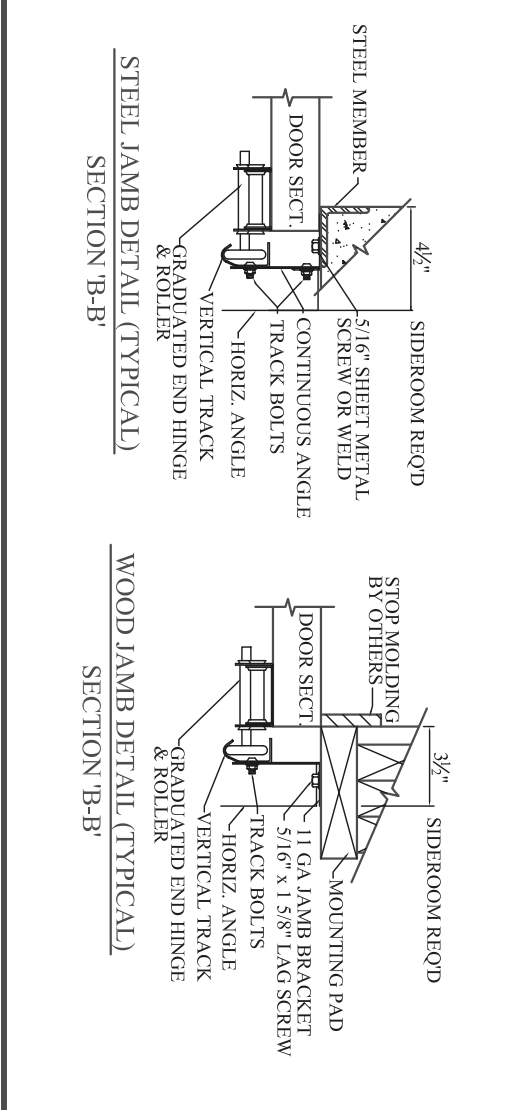
D	# OF STRUTS
6' to 8'	5 STRUTS
8.3" to 10'	6 STRUTS
10.3" to 12'	7 STRUTS
12.3" to 14'	8 STRUTS
14.3" to 16'	9 STRUTS
16.3" to 18'	10 STRUTS
18.3" to 20'	11 STRUTS

PLACE TWO STRUTS ON THE BOTTOM SECTION.
PLACE ONE STRUT ON ALL OTHER SECTIONS.



NOTES:

- * DOORS & HARDWARE WILL BE DESIGNED & MANUFACTURED & INSTALLED ACCORDING TO STANDARDS ESTABLISHED BY THE DOOR ACCESS SYSTEMS MANUFACTURING ASSOCIATION (DASMA).
- * IN DOOR SECTIONS, WHERE WINDOW LITES ARE INSTALLED, STRUTS MAY BE RELOCATED OVER HINGE LEAFS TO AVOID OBSTRUCTION.
- * AN INSIDE SLIDE LOCK SHOULD BE MOUNTED ON END STILE APPROXIMATELY 31" FROM BOTTOM OF DOOR ON THE INTERIOR LEFT.



northcentral
DOOR COMPANY
BEMIDJ, MN 56601

ENGINEERING DRAWING

TITLE
18'-2" MAX. WIDTH, WIND LOAD RATED DOOR

MODEL # TR-138, TF-138, AR-138, LP-138
SCALE - N/A

REV. NO. 3
SHEET OF
DATE

NOTE: THE DESIGN OF SUPPORTING STRUCTURAL ELEMENTS SHALL BE THE RESPONSIBILITY OF THE PROFESSIONAL OF RECORD FOR THE BUILDING OR STRUCTURE IN ACCORDANCE WITH CURRENT BUILDING CODES

MODELS: TR-138, TF-138, AR-138, SR SERIES
 DESIGN PRESSURE +12.4/-13.8 PSF
 TEST PRESSURE +18.6/-20.7 PSF
 TESTED PER THE APPLICABLE REQUIREMENTS OF:
 ASTM: E 330 ANSI/DASMA 108-2002