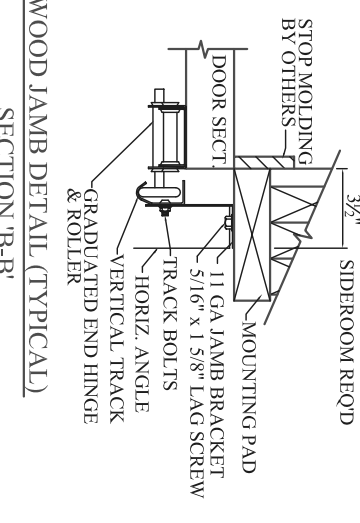
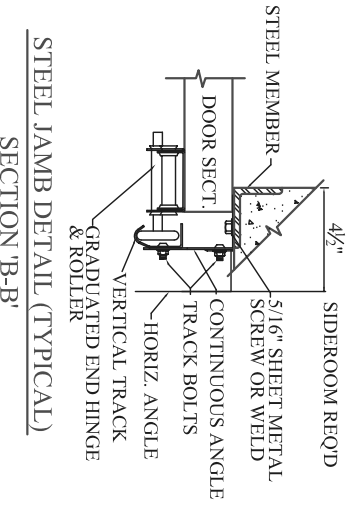
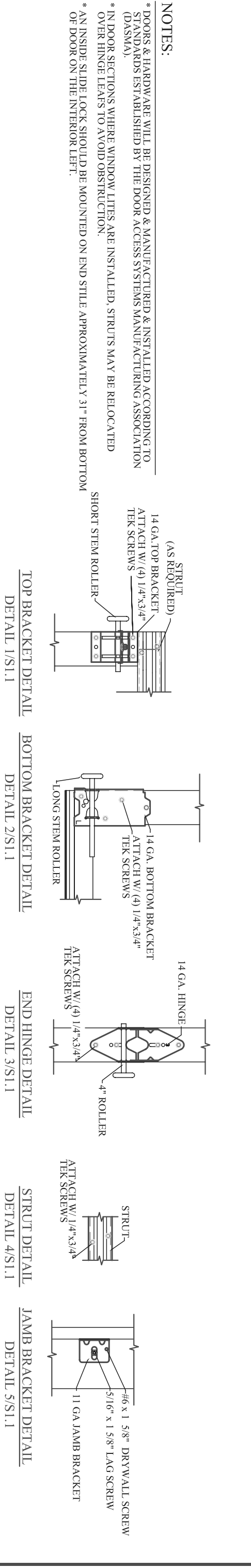
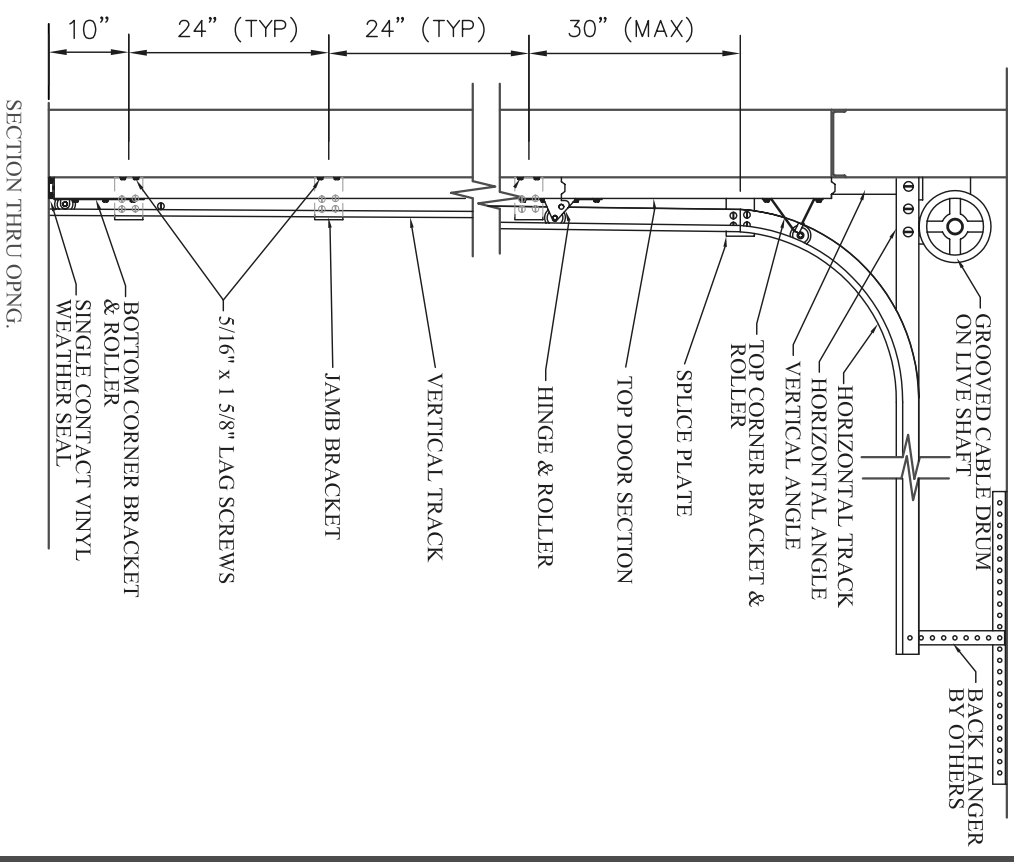


D	# OF STRUTS
6' to 8'	3 STRUTS
8'3\" to 12'	4 STRUTS
12'3\" to 16'	5 STRUTS
16'3\" to 19'3\"	6 STRUTS
19'6\" to 20'	7 STRUTS

PLACE ONE STRUT ON TOP SECTION.
 PLACE ONE STRUT ON BOTTOM SECTION.
 PLACE ADDITIONAL STRUTS EVENLY SPACED
 BETWEEN TOP AND BOTTOM STRUTS
 NOT TO EXCEED A SPACING OF 48"



MODELS: RP-25/CT-24
 DESIGN PRESSURE +12.8/-14.8 PSF
 TEST PRESSURE +19.2/-22.2 PSF
 TESTED PER THE APPLICABLE REQUIREMENTS OF:
 ASTM: E 330 ANSI/DASMA 108-2002

NOTE: THE DESIGN OF SUPPORTING STRUCTURAL ELEMENTS SHALL BE THE RESPONSIBILITY OF THE PROFESSIONAL OF RECORD FOR THE BUILDING OR STRUCTURE IN ACCORDANCE WITH CURRENT BUILDING CODES

northcentral
 DOOR COMPANY
 BEMIDJ, MN 56601

ENGINEERING DRAWING

TITLE: 10' 2" MAX. WIDTH WINDLOAD RATED DOOR

MODEL # RP-25/AR-25/CT-24

SCALE - N/A

REV. NO. 3 OF

SHEET DATE

NOTES:

- * DOORS & HARDWARE WILL BE DESIGNED & MANUFACTURED & INSTALLED ACCORDING TO STANDARDS ESTABLISHED BY THE DOOR ACCESS SYSTEMS MANUFACTURING ASSOCIATION (DASMA).
- * IN DOOR SECTIONS WHERE WINDOW LITES ARE INSTALLED, STRUTS MAY BE RELOCATED OVER HINGE LEAFS TO AVOID OBSTRUCTION.
- * AN INSIDE SLIDE LOCK SHOULD BE MOUNTED ON END STILE APPROXIMATELY 31" FROM BOTTOM OF DOOR ON THE INTERIOR LEFT.

TOP BRACKET DETAIL
 DETAIL 1/S1.1

BOTTOM BRACKET DETAIL
 DETAIL 2/S1.1

END HINGE DETAIL
 DETAIL 3/S1.1

STRUT DETAIL
 DETAIL 4/S1.1

JAMB BRACKET DETAIL
 DETAIL 5/S1.1

SECTION 'B-B'

SECTION 'B-B'

10'-2" MAX. DOOR WIDTH