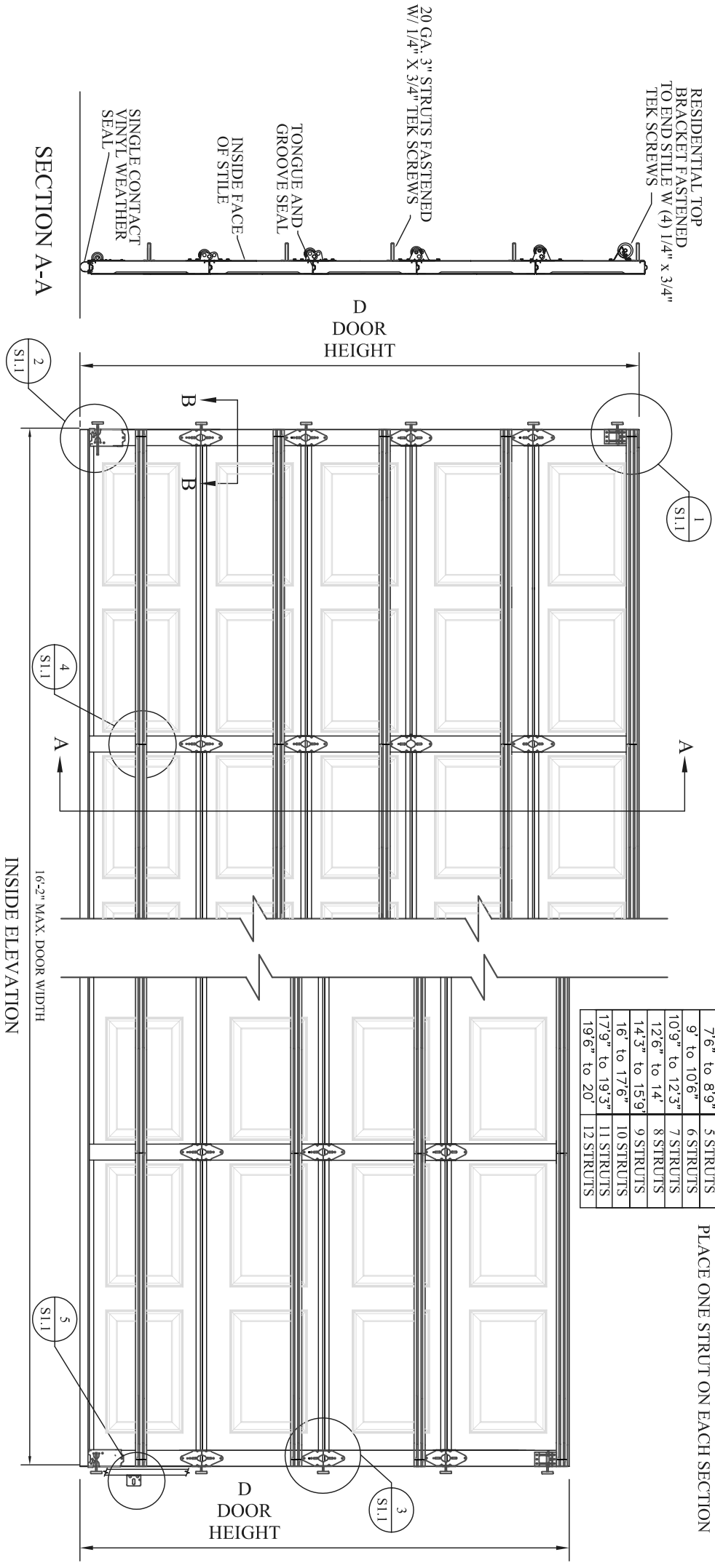
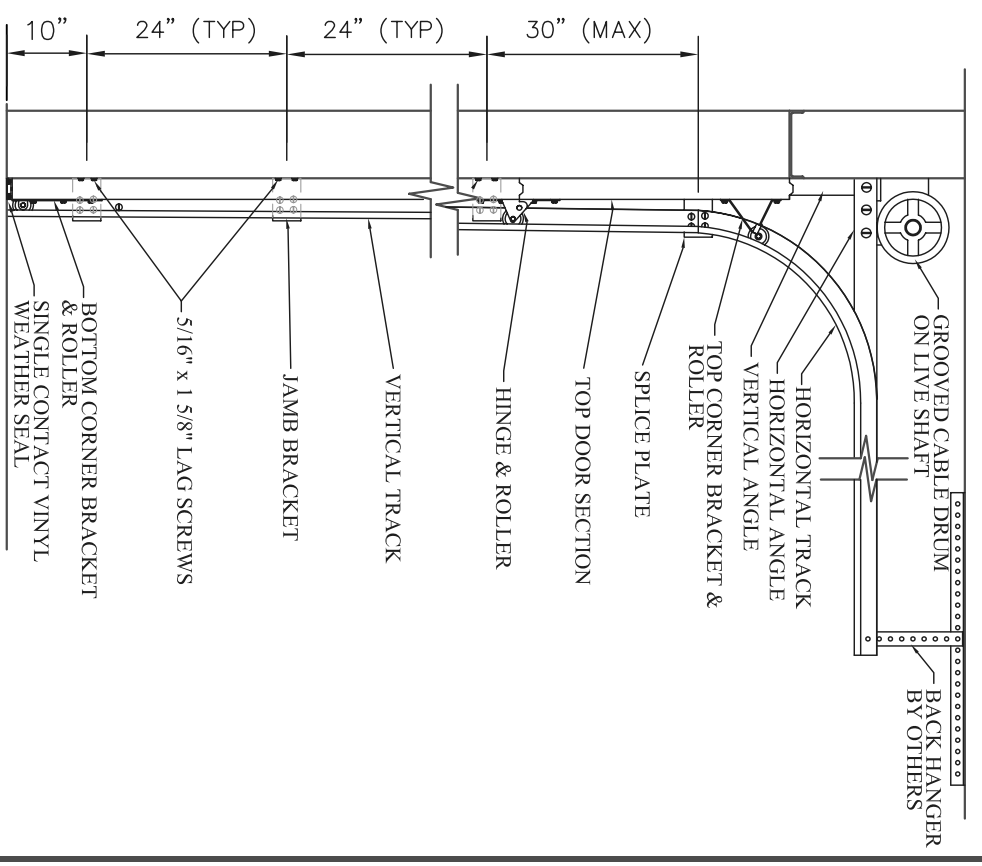


RESIDENTIAL TOP BRACKET FASTENED TO END STILE W/(4) 1/4" x 3/4" TEK SCREWS



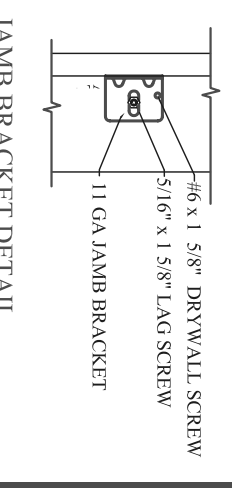
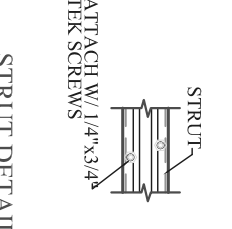
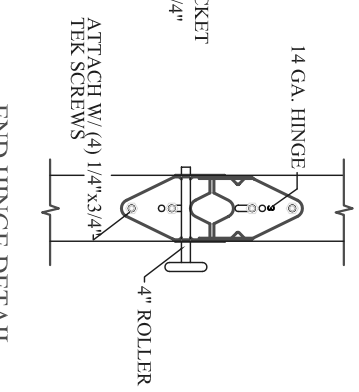
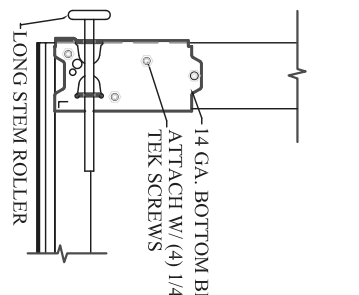
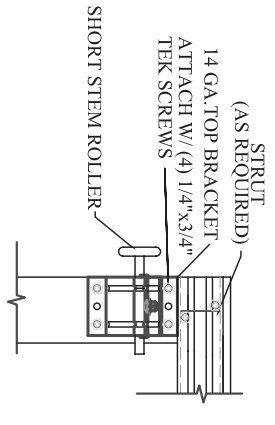
D	# OF STRUTS
6' to 7'3"	4 STRUTS
7'6" to 8'9"	5 STRUTS
9' to 10'6"	6 STRUTS
10'9" to 12'3"	7 STRUTS
12'6" to 14'	8 STRUTS
14'3" to 15'9"	9 STRUTS
16' to 17'6"	10 STRUTS
17'9" to 19'3"	11 STRUTS
19'6" to 20'	12 STRUTS

PLACE ONE STRUT ON EACH SECTION



**NOTES:**

- \* DOORS & HARDWARE WILL BE DESIGNED & MANUFACTURED & INSTALLED ACCORDING TO STANDARDS ESTABLISHED BY THE DOOR ACCESS SYSTEMS MANUFACTURING ASSOCIATION (DASMA).
- \* IN DOOR SECTIONS WHERE WINDOW LITES ARE INSTALLED, STRUTS MAY BE RELOCATED OVER HINGE LEAFS TO AVOID OBSTRUCTION.
- \* AN INSIDE SLIDE LOCK SHOULD BE MOUNTED ON END STILE APPROXIMATELY 31" FROM BOTTOM OF DOOR ON THE INTERIOR LEFT.



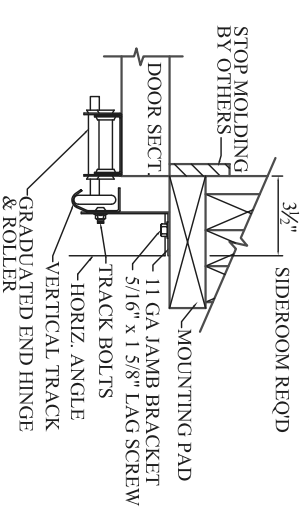
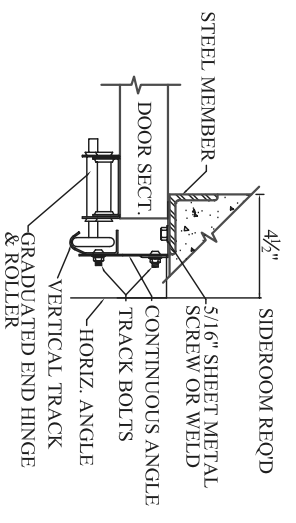
TOP BRACKET DETAIL  
DETAIL 1/S1.1

BOTTOM BRACKET DETAIL  
DETAIL 2/S1.1

END HINGE DETAIL  
DETAIL 3/S1.1

STRUT DETAIL  
DETAIL 4/S1.1

JAMB BRACKET DETAIL  
DETAIL 5/S1.1



NOTE: THE DESIGN OF SUPPORTING STRUCTURAL ELEMENTS SHALL BE THE RESPONSIBILITY OF THE PROFESSIONAL OF RECORD FOR THE BUILDING OR STRUCTURE IN ACCORDANCE WITH CURRENT BUILDING CODES

MODELS: RP-25/CT-24  
 DESIGN PRESSURE +12.4/-13.8 PSF  
 TEST PRESSURE +18.6/-20.7 PSF  
 TESTED PER THE APPLICABLE REQUIREMENTS OF:  
 ASTM: E 330 ANSIDASMA 108-2002

BEHNDJ, MN 56601

**ENGINEERING DRAWING**

---

**TITLE**  
16'2" MAX. WIDTH, WINDLOAD RATED DOOR

**MODEL #** RP-25/AR-25/CT-24

**SCALE** - N/A

**REV. NO.** 3

**SHEET** OF

**DATE**