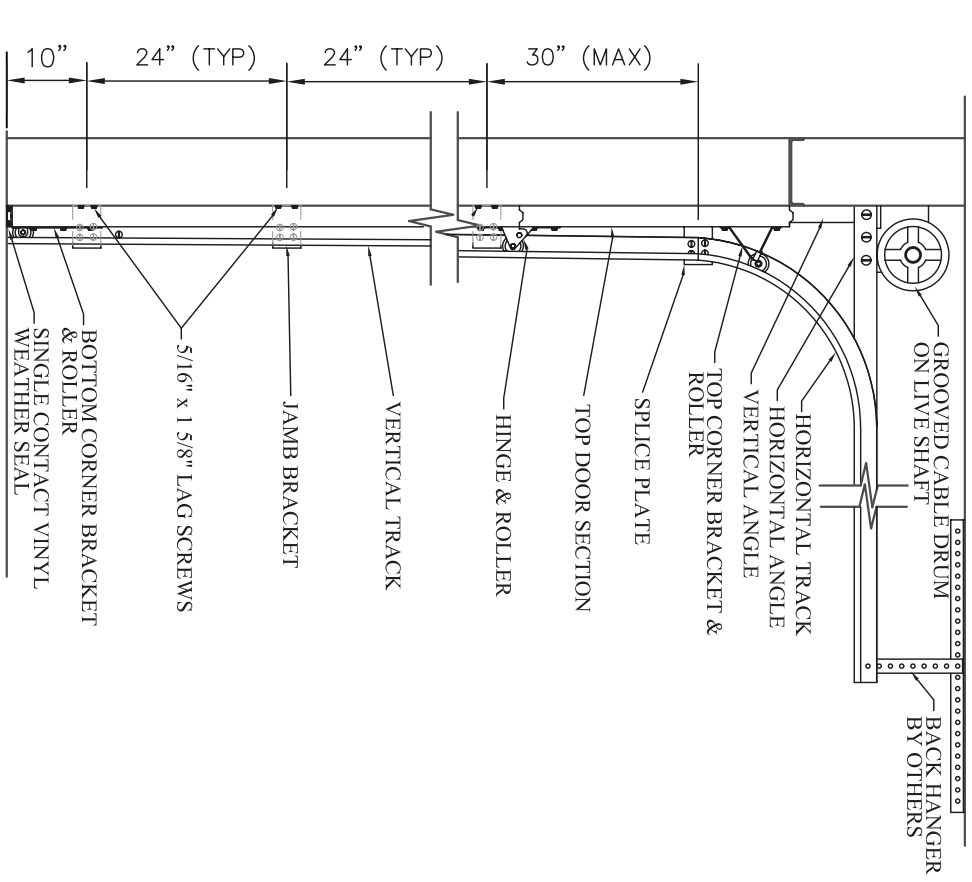
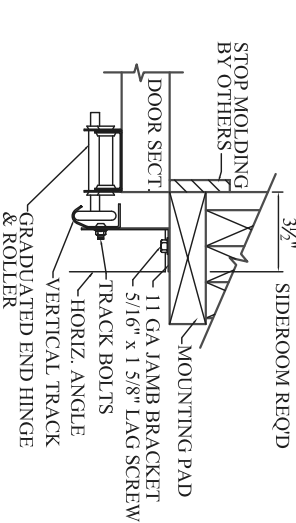
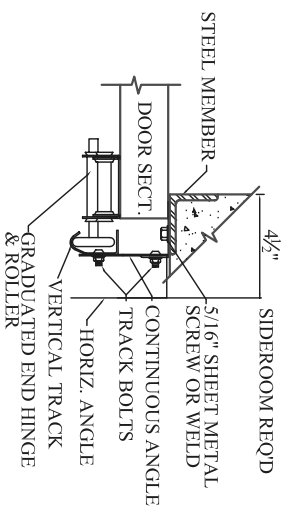
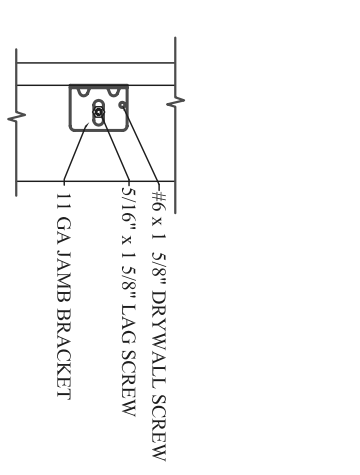
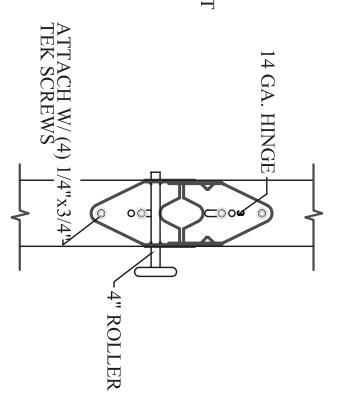
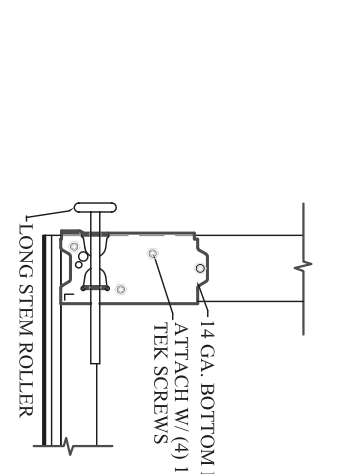
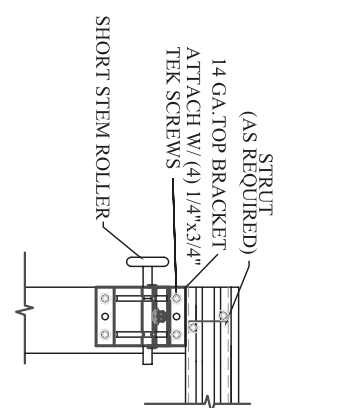


ATTACH ONE 22 GAUGE, 2 1/4" STRUT ON THE TOP SECTION WITH 1/4" X 3/4" TEK SCREWS



- NOTES:**
- \* DOORS & HARDWARE WILL BE DESIGNED & MANUFACTURED & INSTALLED ACCORDING TO STANDARDS ESTABLISHED BY THE DOOR ACCESS SYSTEMS MANUFACTURING ASSOCIATION (DASMA).
  - \* IN DOOR SECTIONS WHERE WINDOW LITES ARE INSTALLED, STRUTS MAY BE RELOCATED OVER HINGE LEAFS TO AVOID OBSTRUCTION.
  - \* AN INSIDE SLIDE LOCK SHOULD BE MOUNTED ON END STILE APPROXIMATELY 3" FROM BOTTOM OF DOOR ON THE INTERIOR LEFT.



**NOTE:** THE DESIGN OF SUPPORTING STRUCTURAL ELEMENTS SHALL BE THE RESPONSIBILITY OF THE PROFESSIONAL OF RECORD FOR THE BUILDING OR STRUCTURE IN ACCORDANCE WITH CURRENT BUILDING CODES

MODELS: TR-138, TF-138, TF-2, AR-138, SR SERIES  
DESIGN PRESSURE +12.8/-14.8 PSF  
TEST PRESSURE +19.2/-22.2 PSF  
TESTED PER THE APPLICABLE REQUIREMENTS OF:  
ASTM: E 330 ANSID/ASMA 108-2002

<p>BEHOLD, MN 56601</p>		<p><b>ENGINEERING DRAWING</b></p>	
<p><b>TITLE</b> 9'2" MAX. WIDTH, WIND LOAD RATED DOOR</p>			
<p><b>MODEL #SPECIAL RESERVE</b></p>	<p>SCALE - N/A</p>		<p>REV. NO. 2</p>
<p><b>SCALE</b></p>	<p>SHEET</p>	<p>OF</p>	<p>DATE</p>