

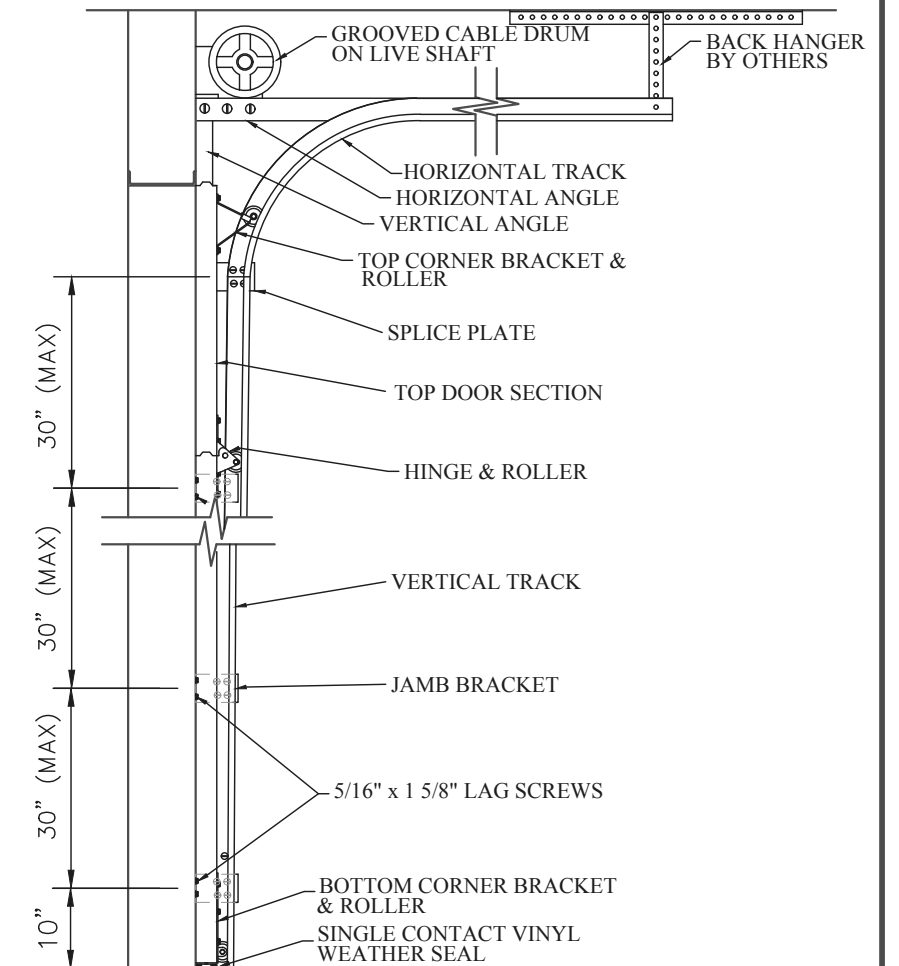
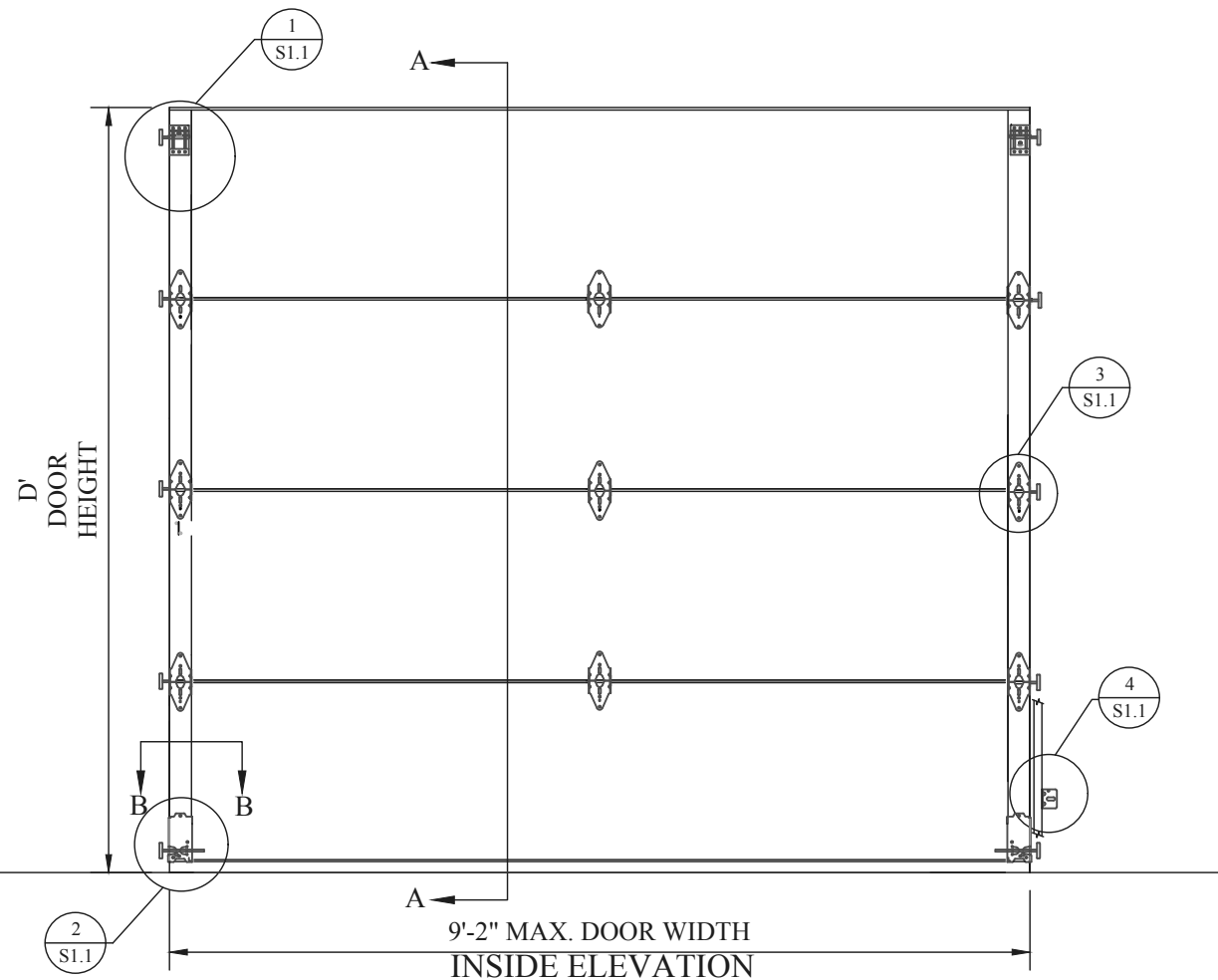
RESIDENTIAL TOP BRACKET FASTENED TO END STILE W (4) 1/4" x 3/4" TEK SCREWS

TONGUE AND GROOVE SEAL

INSIDE FACE OF STILE

SINGLE CONTACT VINYL WEATHER SEAL

SECTION A-A



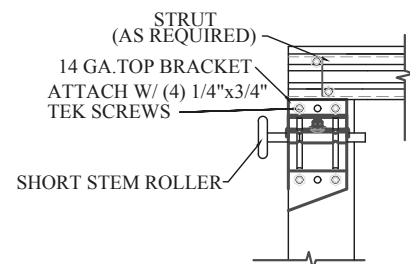
SECTION THRU OPNG.

NOTES:

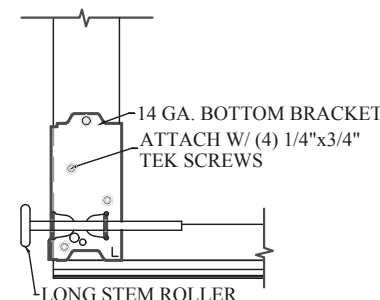
* DOORS & HARDWARE WILL BE DESIGNED & MANUFACTURED & INSTALLED ACCORDING TO STANDARDS ESTABLISHED BY THE DOOR ACCESS SYSTEMS MANUFACTURING ASSOCIATION (DASMA).

* IN DOOR SECTIONS WHERE WINDOW LITES ARE INSTALLED, STRUTS MAY BE RELOCATED OVER HINGE LEAFS TO AVOID OBSTRUCTION.

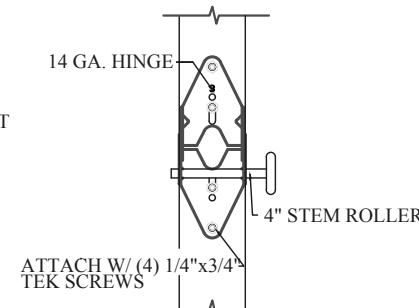
* AN INSIDE SLIDE LOCK SHOULD BE MOUNTED ON END STILE APPROXIMATELY 31" FROM BOTTOM OF DOOR ON THE INTERIOR LEFT.



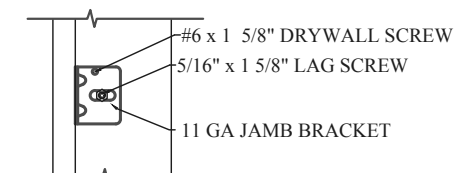
TOP BRACKET DETAIL
DETAIL 1/S1.1



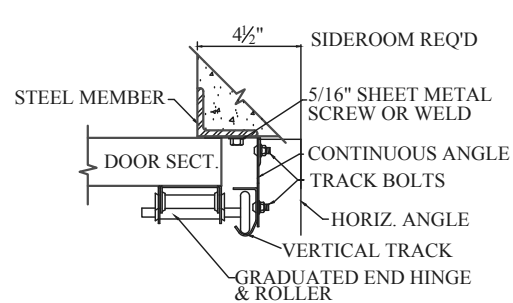
BOTTOM BRACKET DETAIL
DETAIL 2/S1.1



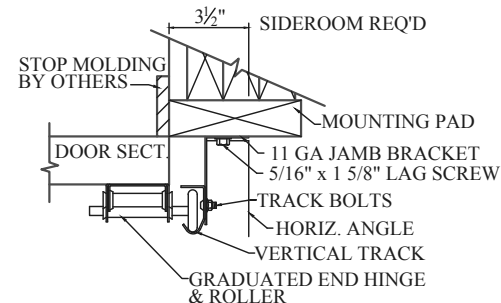
END HINGE DETAIL
DETAIL 3/S1.1



JAMB BRACKET DETAIL
DETAIL 4/S1.1



STEEL JAMB DETAIL (TYPICAL)
SECTION 'B-B'




WOOD JAMB DETAIL (TYPICAL)
SECTION 'B-B'

MODELS: TR-138, TF-138, AR-138, LP-138, TF-2, LP-2, AR-II, TAS III

DESIGN PRESSURE +12.8/-14.8 PSF
TEST PRESSURE +19.2/-22.2 PSF
TESTED PER THE APPLICABLE REQUIREMENTS OF:
ASTM: E 330 ANSI/DASMA 108-2002

NOTE: THE DESIGN OF SUPPORTING STRUCTURAL ELEMENTS SHALL BE THE RESPONSIBILITY OF THE PROFESSIONAL OF RECORD FOR THE BUILDING OR STRUCTURE IN ACCORDANCE WITH CURRENT BUILDING CODES

		ENGINEERING DRAWING	
BEMIDJI, MN 56601		TITLE 9'2" MAX. WIDTH, WIND LOAD RATED DOOR	
MODEL # TR-138, TF-138, AR-138, LP-138 LP-II, TR-II, TF-II, AR-II, TAS III		REV. NO. 2 SHEET _____ OF _____ DATE _____	
SCALE - N/A			