

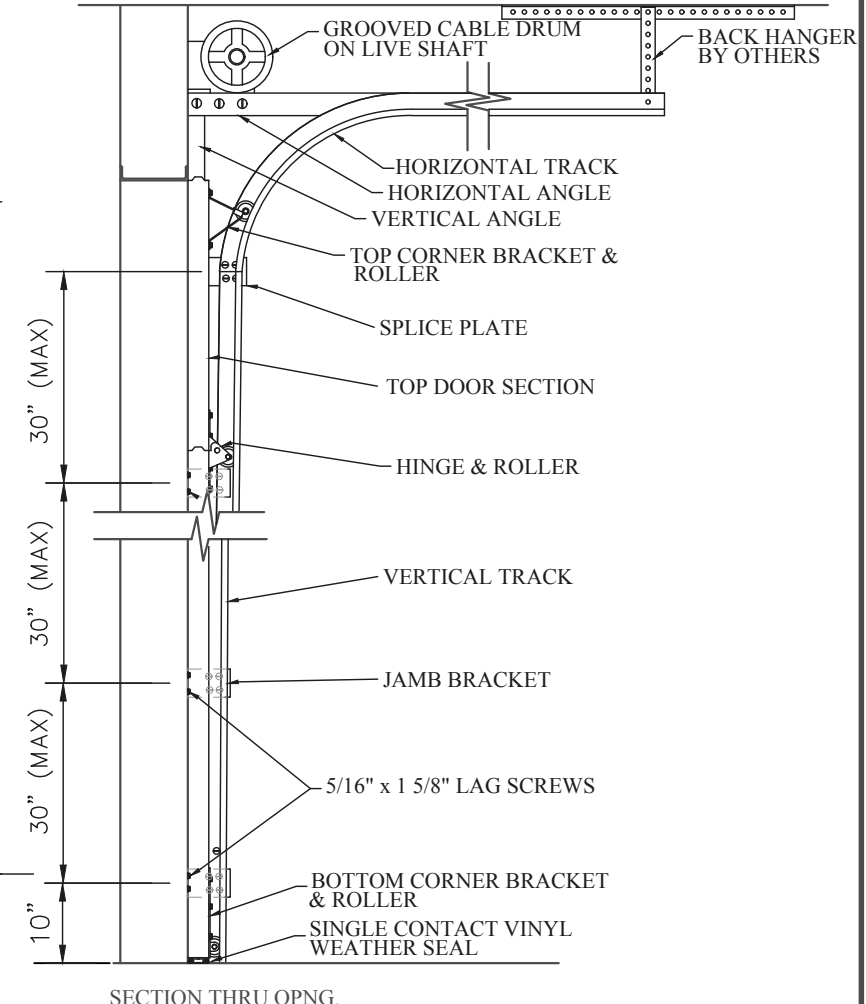
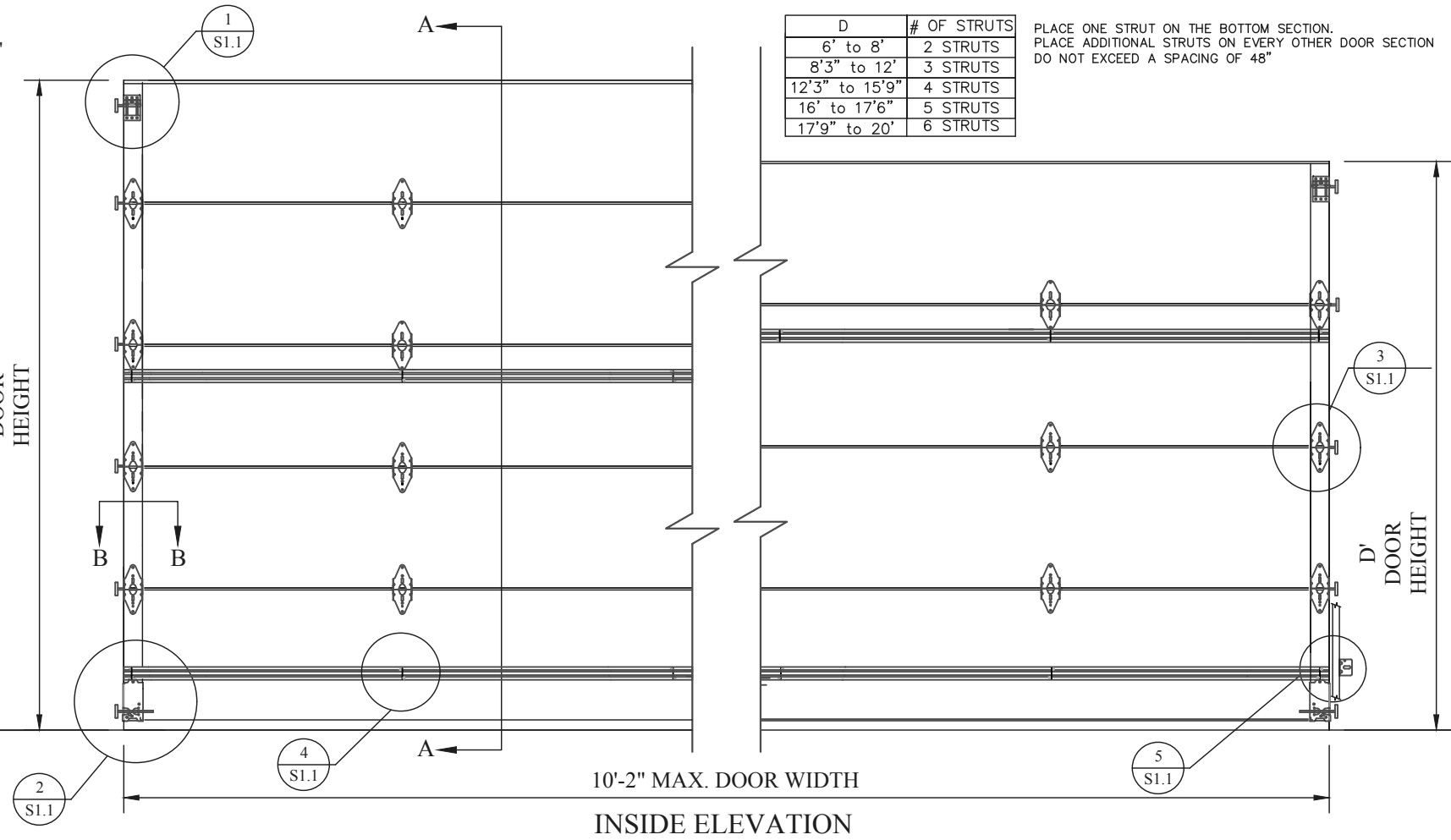
RESIDENTIAL TOP BRACKET FASTENED TO END STILE W/ (4) 1/4" x 3/4" TEK SCREWS

22 GA. 2 1/4" STRUTS FASTENED W/ 1/4" X 3/4" TEK SCREWS

INSIDE FACE OF STILE

TONGUE AND GROOVE SEAL

SINGLE CONTACT VINYL WEATHER SEAL

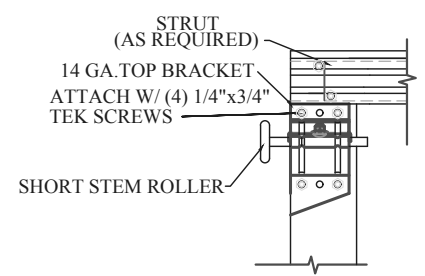


NOTES:

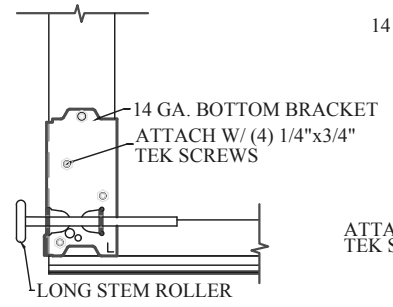
* DOORS & HARDWARE WILL BE DESIGNED & MANUFACTURED & INSTALLED ACCORDING TO STANDARDS ESTABLISHED BY THE DOOR ACCESS SYSTEMS MANUFACTURING ASSOCIATION (DASMA).

* IN DOOR SECTIONS WHERE WINDOW LITES ARE INSTALLED, STRUTS MAY BE RELOCATED OVER HINGE LEAFS TO AVOID OBSTRUCTION.

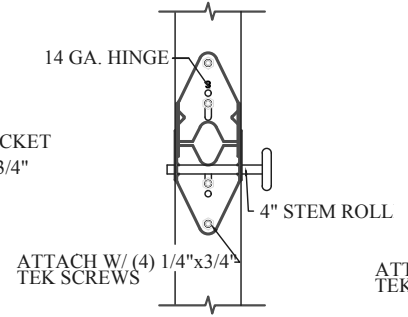
* AN INSIDE SLIDE LOCK SHOULD BE MOUNTED ON END STILE APPROXIMATELY 31" FROM BOTTOM OF DOOR ON THE INTERIOR LEFT.



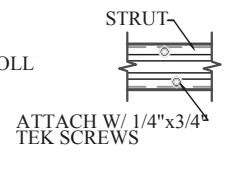
TOP BRACKET DETAIL
DETAIL 1/S1.1



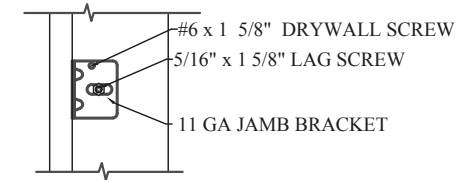
BOTTOM BRACKET DETAIL
DETAIL 2/S1.1



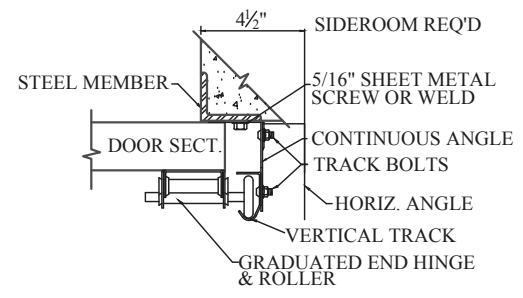
END HINGE DETAIL
DETAIL 3/S1.1



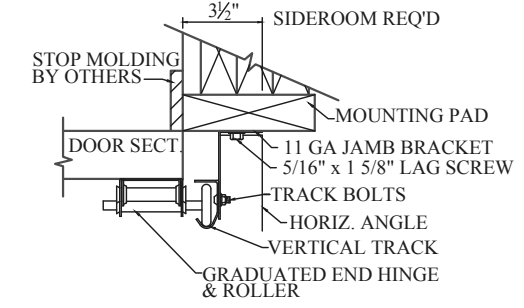
STRUT DETAIL
DETAIL 4/S1.1



JAMB BRACKET DETAIL
DETAIL 5/S1.1



STEEL JAMB DETAIL (TYPICAL)
SECTION 'B-B'



WOOD JAMB DETAIL (TYPICAL)
SECTION 'B-B'

MODEL: TR-II
DESIGN PRESSURE +12.8/-14.8 PSF
TEST PRESSURE +19.2/-22.2 PSF
TESTED PER THE APPLICABLE REQUIREMENTS OF:
ASTM: E 330 ANSI/DASMA 108-2002

NOTE: THE DESIGN OF SUPPORTING STRUCTURAL ELEMENTS SHALL BE THE RESPONSIBILITY OF THE PROFESSIONAL OF RECORD FOR THE BUILDING OR STRUCTURE IN ACCORDANCE WITH CURRENT BUILDING CODES

		ENGINEERING DRAWING	
TITLE 10'-2" MAX. WIDTH, WIND LOAD RATED DOOR			
MODEL # TR-II	SCALE - N/A	REV. NO. 3	SHEET OF
		DATE	