

D	# OF STRUTS
6' to 8'	5 STRUTS
8'3" to 10'	6 STRUTS
10'3" to 12'	7 STRUTS
12'3" to 14'	8 STRUTS
14'3" to 16'	9 STRUTS
16'3" to 18'	10 STRUTS
18'3" to 20'	11 STRUTS

PLACE TWO STRUTS ON BOTTOM SECTION
PLACE ONE STRUT ON ALL OTHER SECTIONS

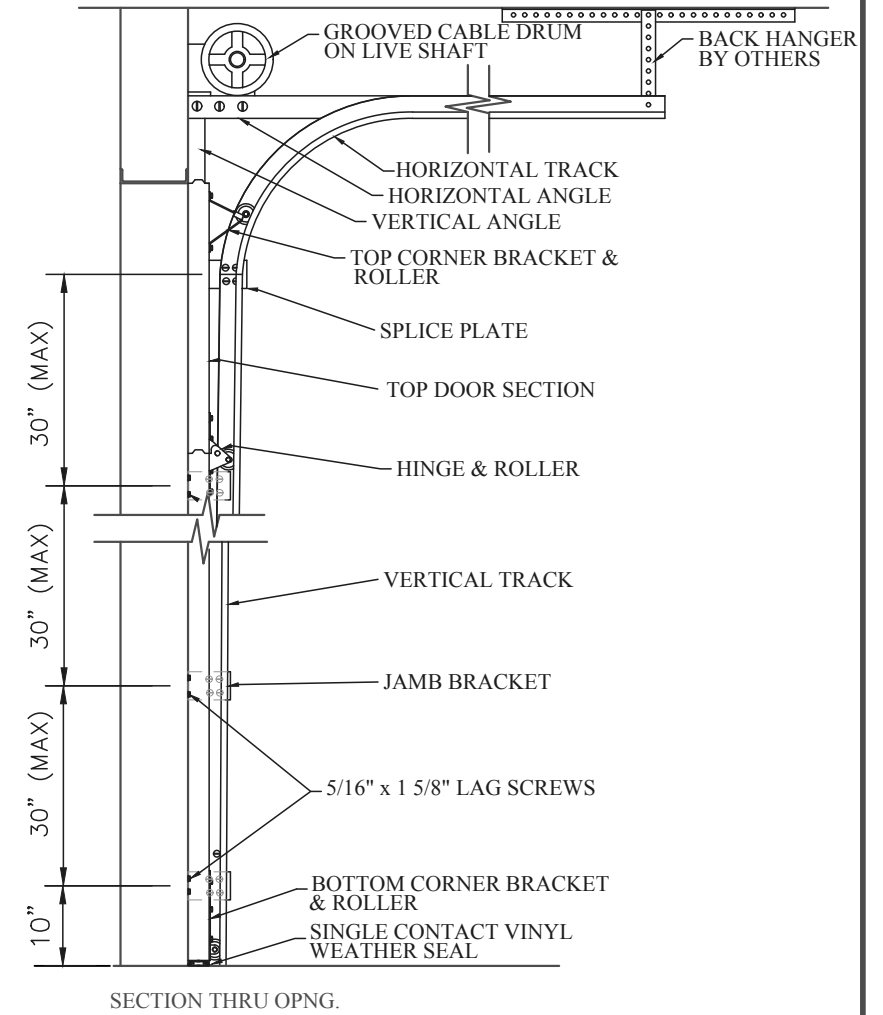
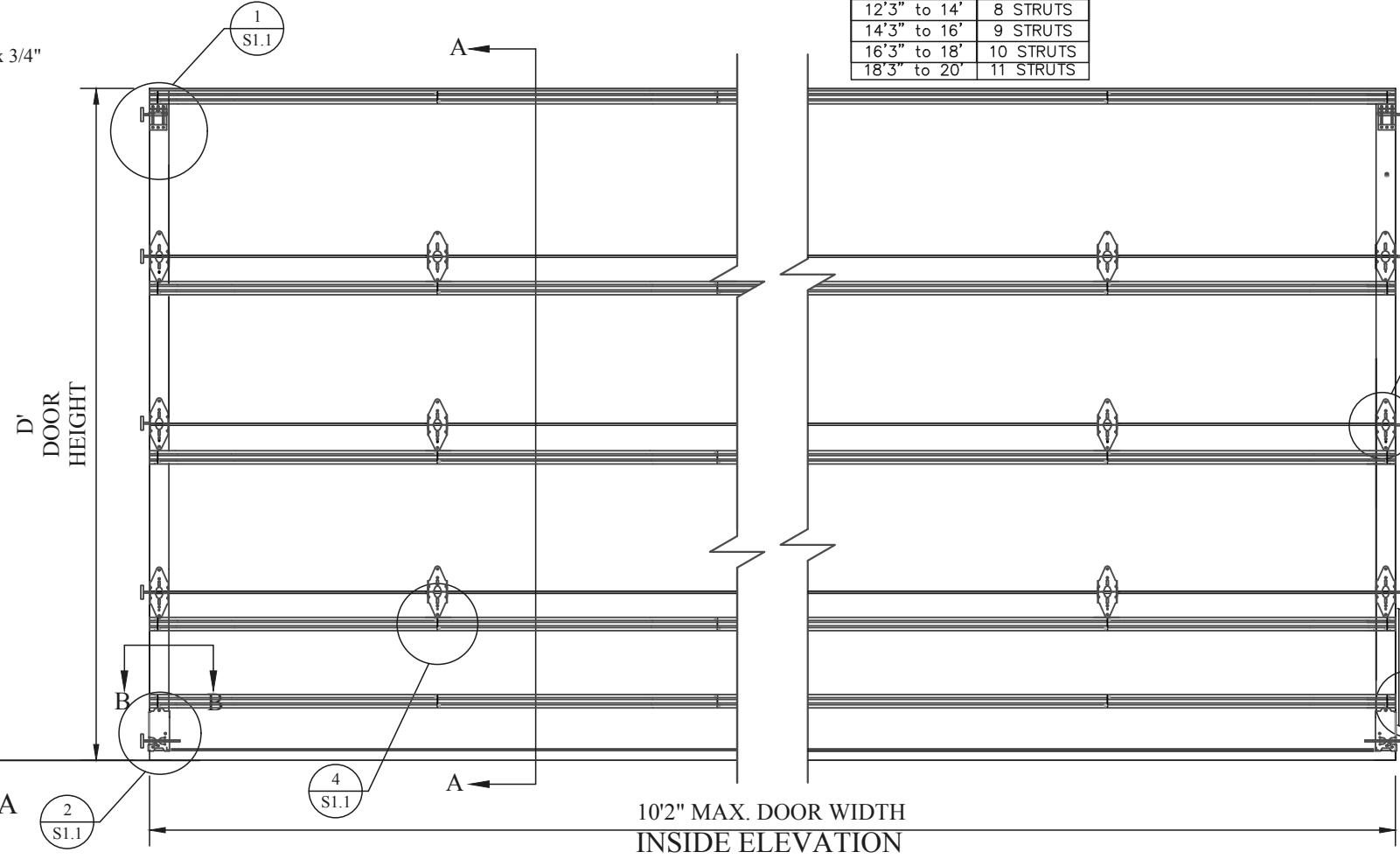
RESIDENTIAL TOP BRACKET FASTENED TO END STILE W/ (4) 1/4" x 3/4" TEK SCREWS

22 GA. 2 1/4" STRUTS FASTENED W/ 1/4" X 3/4" TEK SCREWS

INSIDE FACE OF STILE

TONGUE AND GROOVE SEAL

SINGLE CONTACT VINYL WEATHER SEAL

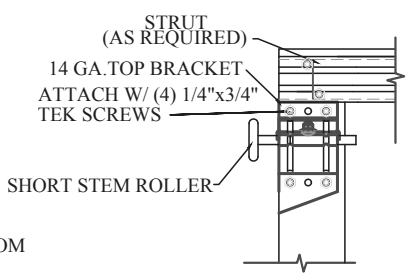


NOTES:

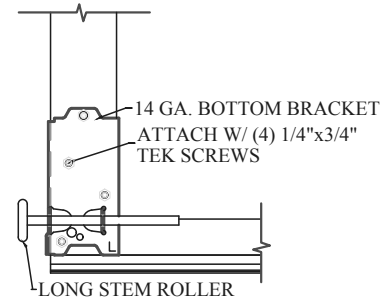
* DOORS & HARDWARE WILL BE DESIGNED & MANUFACTURED & INSTALLED ACCORDING TO STANDARDS ESTABLISHED BY THE DOOR ACCESS SYSTEMS MANUFACTURING ASSOCIATION (DASMA).

* IN DOOR SECTIONS WHERE WINDOW LITES ARE INSTALLED, STRUTS MAY BE RELOCATED OVER HINGE LEAFS TO AVOID OBSTRUCTION.

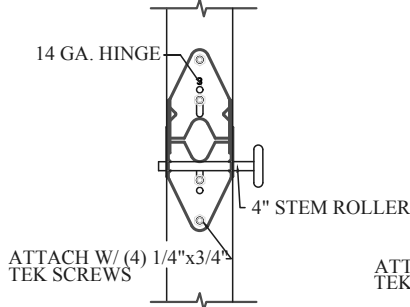
* AN INSIDE SLIDE LOCK SHOULD BE MOUNTED ON END STILE APPROXIMATELY 31" FROM BOTTOM OF DOOR ON THE INTERIOR LEFT.



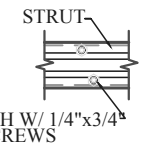
TOP BRACKET DETAIL
DETAIL 1/S1.1



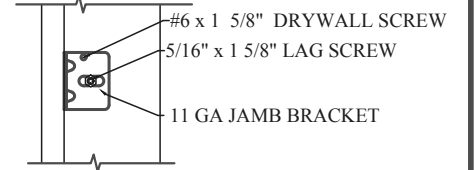
BOTTOM BRACKET DETAIL
DETAIL 2/S1.1



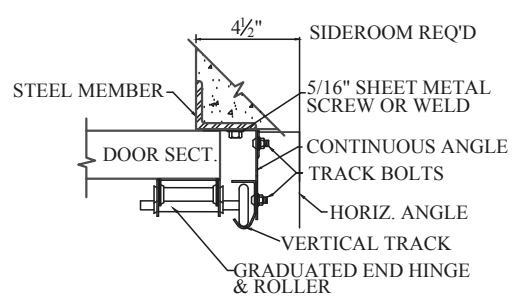
END HINGE DETAIL
DETAIL 3/S1.1



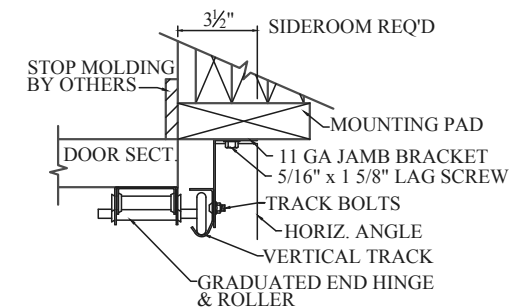
STRUT DETAIL
DETAIL 4/S1.1



JAMB BRACKET DETAIL
DETAIL 5/S1.1



STEEL JAMB DETAIL (TYPICAL)
SECTION 'B-B'



WOOD JAMB DETAIL (TYPICAL)
SECTION 'B-B'

MODELS: All 1 3/8" Models, All 2" Models (except TF-II)
DESIGN PRESSURE +17.5/-19.6 PSF

TESTED PER THE APPLICABLE REQUIREMENTS OF:
Pressures conform to ASCE-7-10 with the following parameters:
115 mph ultimate design wind speed
Exposure C
ASTM: E 330 ANSI/DASMA 108-2002

NOTE: THE DESIGN OF SUPPORTING STRUCTURAL ELEMENTS SHALL BE THE RESPONSIBILITY OF THE PROFESSIONAL OF RECORD FOR THE BUILDING OR STRUCTURE IN ACCORDANCE WITH CURRENT BUILDING CODES

<p>BE MIDJ, MN 56601</p>		ENGINEERING DRAWING	
		TITLE 10'2" MAX. WIDTH, WIND LOAD RATED DOOR	
MODEL #	AR-138, ARL-138, LP-138, TF-138, TR-138, AR-II, ARL-II, LP-II, TR-II	REV. NO.	0
SCALE	N/A	SHEET	OF
		DATE	