

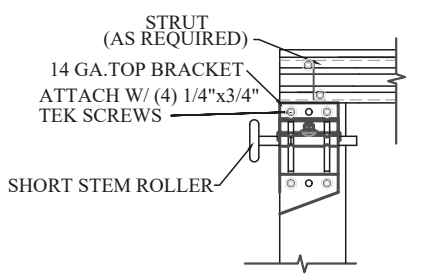
D	# OF STRUTS
6' to 6'9"	6 STRUTS
7' to 8'	7 STRUTS
8'3" to 9'3"	8 STRUTS
9'6" to 10'3"	9 STRUTS
10'6" to 11'6"	10 STRUTS
11'9" to 12'6"	11 STRUTS
12'9" to 13'9"	12 STRUTS
14' to 15'	13 STRUTS
15'3" to 16'	14 STRUTS

PLACE ONE STRUT ON TOP SECTION.
PLACE TWO STRUTS ON BOTTOM SECTION.
PLACE ADDITIONAL STRUTS EVENLY SPACED
BETWEEN TOP AND BOTTOM STRUTS
DO NOT EXCEED A SPACING OF 24"

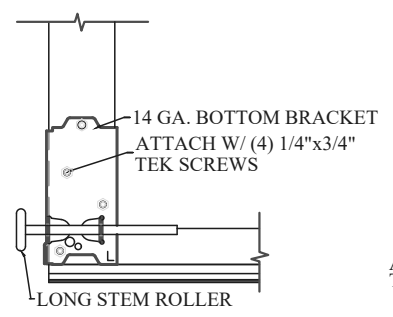
D	# OF STRUTS
16'3" to 17'3"	15 STRUTS
17'6" to 18'6"	16 STRUTS
18'9" to 19'6"	17 STRUTS
19'9" to 20'	18 STRUTS

NOTES:

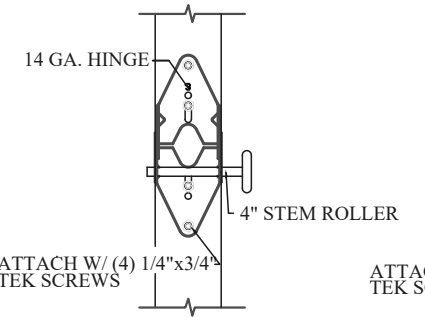
- * DOORS & HARDWARE WILL BE DESIGNED & MANUFACTURED & INSTALLED ACCORDING TO STANDARDS ESTABLISHED BY THE DOOR ACCESS SYSTEMS MANUFACTURING ASSOCIATION (DASMA).
- * IN DOOR SECTIONS WHERE WINDOW LITES ARE INSTALLED, STRUTS MAY BE RELOCATED OVER HINGE LEAFS TO AVOID OBSTRUCTION.
- * AN INSIDE SLIDE LOCK SHOULD BE MOUNTED ON END STILE APPROXIMATELY 31" FROM BOTTOM OF DOOR ON THE INTERIOR LEFT.



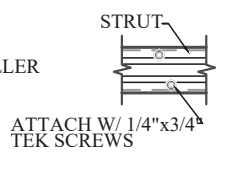
TOP BRACKET DETAIL
DETAIL 1/S1.1



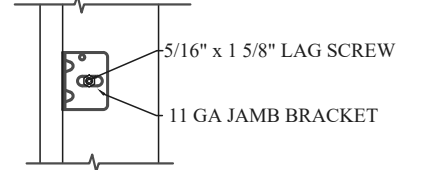
BOTTOM BRACKET DETAIL
DETAIL 2/S1.1



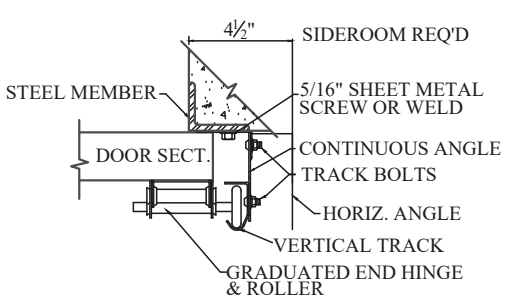
END HINGE DETAIL
DETAIL 3/S1.1



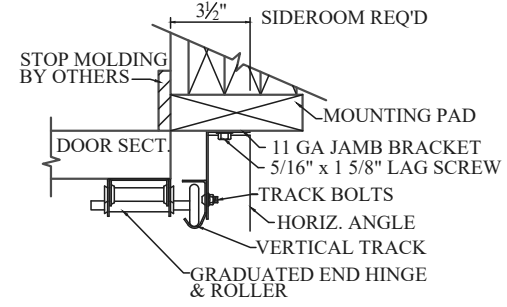
STRUT DETAIL
DETAIL 4/S1.1



JAMB BRACKET DETAIL
DETAIL 5/S1.1



STEEL JAMB DETAIL (TYPICAL)
SECTION 'B-B'



WOOD JAMB DETAIL (TYPICAL)
SECTION 'B-B'

MODEL: RS-25
DESIGN PRESSURE +12.4/-13.8 PSF
TEST PRESSURE +18.6/-20.7 PSF
TESTED PER THE APPLICABLE REQUIREMENTS OF:
ASTM: E 330 ANSI/DASMA 108-2002

NOTE: THE DESIGN OF SUPPORTING STRUCTURAL ELEMENTS SHALL BE THE RESPONSIBILITY OF THE PROFESSIONAL OF RECORD FOR THE BUILDING OR STRUCTURE IN ACCORDANCE WITH CURRENT BUILDING CODES

		ENGINEERING DRAWING	
18' 2" MAX. WIDTH WIND LOAD RATED DOOR			
MODEL # RS-25, 24 & 25 gauge	REV. NO. 3	SHEET _____	OF _____
SCALE - N/A	DATE _____		