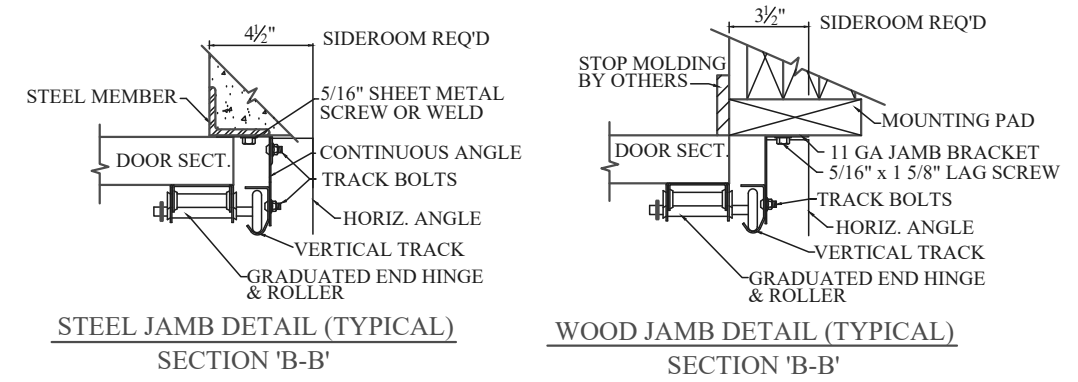
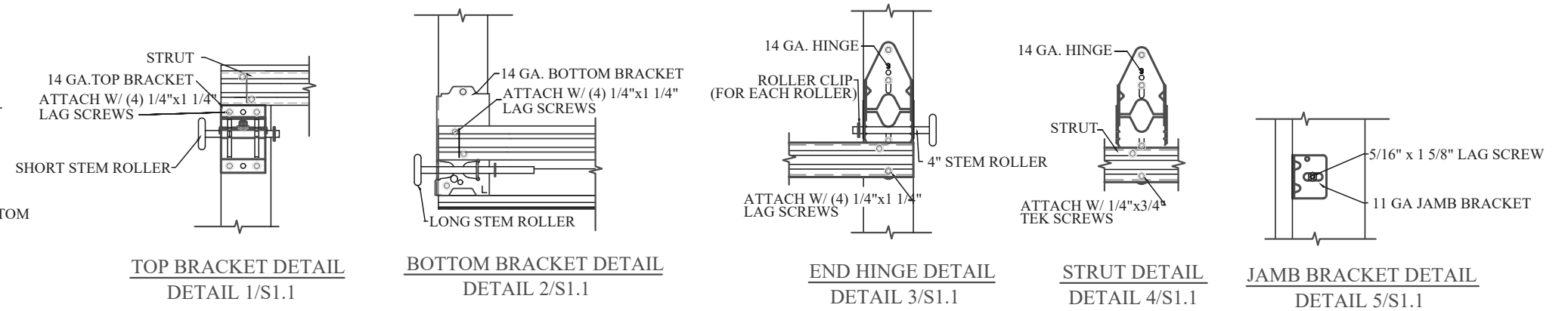


NOTES:

* DOORS & HARDWARE WILL BE DESIGNED & MANUFACTURED & INSTALLED ACCORDING TO STANDARDS ESTABLISHED BY THE DOOR ACCESS SYSTEMS MANUFACTURING ASSOCIATION (DASMA).



* AN INSIDE SLIDE LOCK SHOULD BE MOUNTED ON END STILE APPROXIMATELY 31" FROM BOTTOM OF DOOR ON THE INTERIOR LEFT.



MODELS: Acadia 138, G-5138
Raised Panel 21"x13", 40"x13", 18 3/4"x15", Flush, Grooves, Overlay

DESIGN PRESSURE +19.8/-17.0 PSF
TEST PRESSURE +29.7/-25.5 PSF
TESTED PER THE APPLICABLE REQUIREMENTS OF:
ASTM: E 330 ANSI/DASMA 108-2005

NOTE: THE DESIGN OF SUPPORTING STRUCTURAL ELEMENTS SHALL BE THE RESPONSIBILITY OF THE PROFESSIONAL OF RECORD FOR THE BUILDING OR STRUCTURE IN ACCORDANCE WITH CURRENT BUILDING CODES

		ENGINEERING DRAWING	
		TITLE 18'2" MAX. WIDTH, WIND LOAD RATED DOOR	
MODEL GARAGA 1 3/8" POLYURETHANE INJECTED	SCALE - N/A	REV. NO. 0	SHEET OF
		DATE	