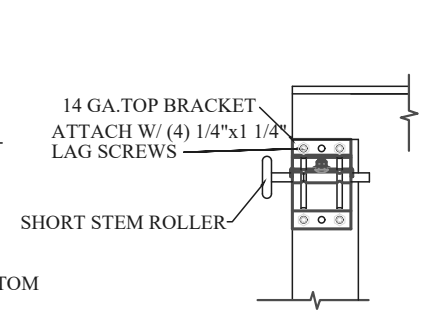
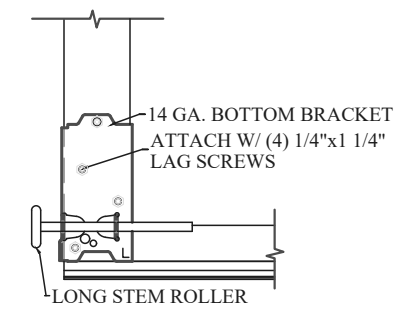


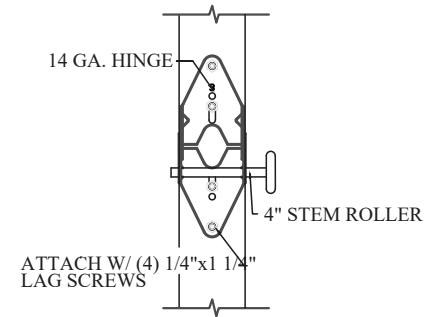
**NOTES:**  
 \* DOORS & HARDWARE WILL BE DESIGNED & MANUFACTURED & INSTALLED ACCORDING TO STANDARDS ESTABLISHED BY THE DOOR ACCESS SYSTEMS MANUFACTURING ASSOCIATION (DASMA).  
 \* AN INSIDE SLIDE LOCK SHOULD BE MOUNTED ON END STILE APPROXIMATELY 31" FROM BOTTOM OF DOOR ON THE INTERIOR LEFT.



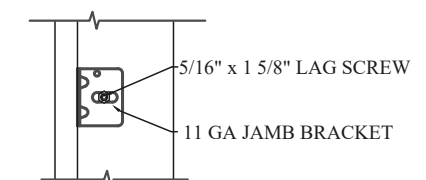
**TOP BRACKET DETAIL**  
DETAIL 1/S1.1



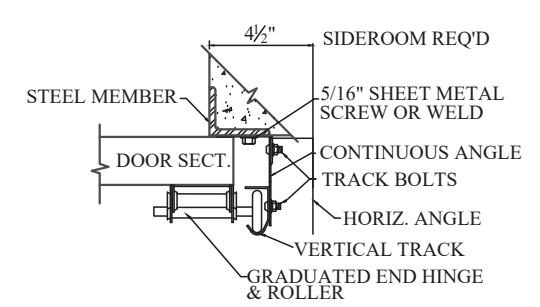
**BOTTOM BRACKET DETAIL**  
DETAIL 2/S1.1



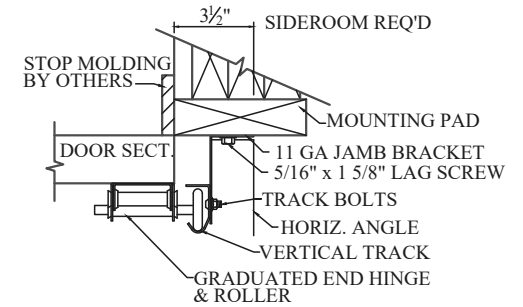
**END HINGE DETAIL**  
DETAIL 3/S1.1



**JAMB BRACKET DETAIL**  
DETAIL 5/S1.1



**STEEL JAMB DETAIL (TYPICAL)**  
SECTION 'B-B'



**WOOD JAMB DETAIL (TYPICAL)**  
SECTION 'B-B'

MODELS: California, G-4400  
 DESIGN PRESSURE +12.8/-14.5 PSF  
 TEST PRESSURE +19.2/-21.7 PSF  
 TESTED PER THE APPLICABLE REQUIREMENTS OF:  
 ASTM: E 330 ANSI/DASMA 108-2017  
 NOTE: THE DESIGN OF SUPPORTING STRUCTURAL ELEMENTS SHALL BE THE RESPONSIBILITY OF THE PROFESSIONAL OF RECORD FOR THE BUILDING OR STRUCTURE IN ACCORDANCE WITH CURRENT BUILDING CODES

		<b>ENGINEERING DRAWING</b> 	
<b>TITLE</b> 12'2" MAX. WIDTH, WIND LOAD RATED DOOR			
<b>MODEL</b> GARAGA California, G-4400	<b>REV. NO.</b> 0	<b>SHEET</b> OF	<b>DATE</b> 10/17/23
<b>SCALE</b> - N/A			