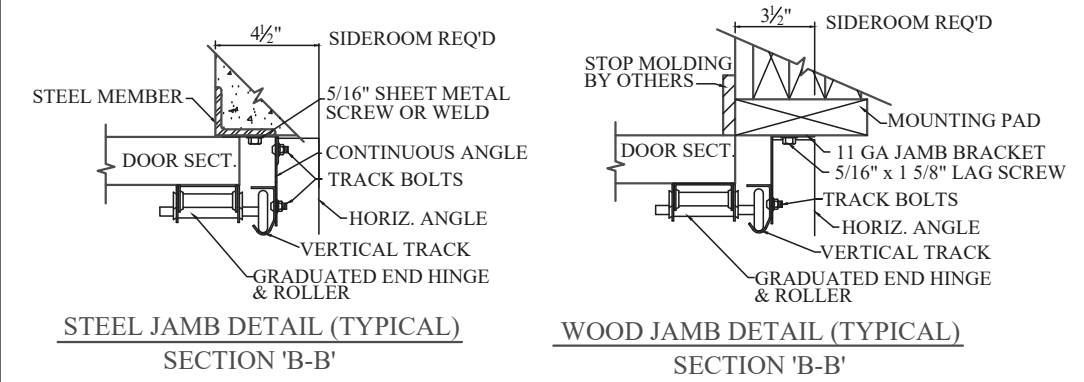
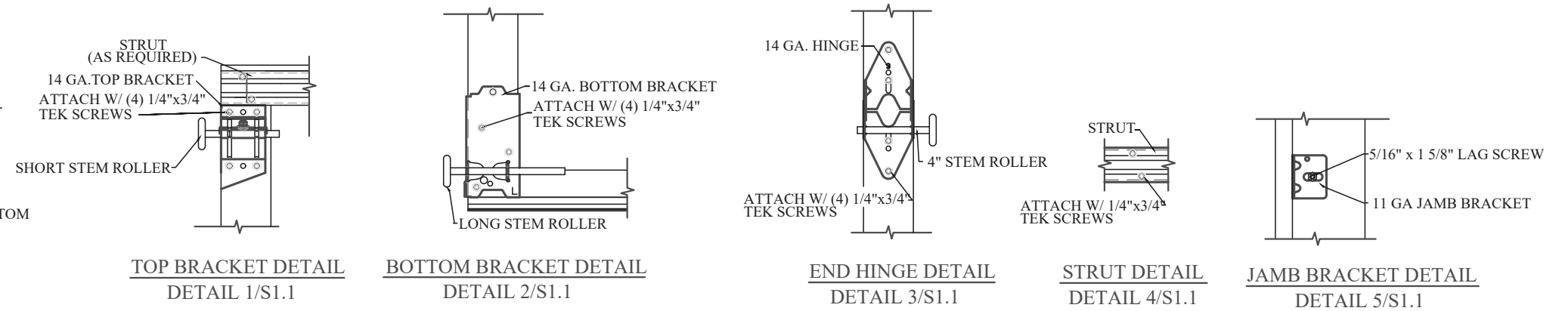


NOTES:

- * DOORS & HARDWARE WILL BE DESIGNED & MANUFACTURED & INSTALLED ACCORDING TO STANDARDS ESTABLISHED BY THE DOOR ACCESS SYSTEMS MANUFACTURING ASSOCIATION (DASMA).
- * IN DOOR SECTIONS WHERE WINDOW LITES ARE INSTALLED, STRUTS MAY BE RELOCATED OVER HINGE LEAFS TO AVOID OBSTRUCTION.
- * AN INSIDE SLIDE LOCK SHOULD BE MOUNTED ON END STILE APPROXIMATELY 31" FROM BOTTOM OF DOOR ON THE INTERIOR LEFT.



MODELS: All 1 3/8" Models, All 2" Models (Except TF-II)
DESIGN PRESSURE +18.9/-21.3 PSF

TESTED PER THE APPLICABLE REQUIREMENTS OF:
Pressures conform to ASCE-7-10 with the following parameters:
115 mph ultimate design wind speed
Exposure C
ASTM: E 330 ANSI/DASMA 108-2002

NOTE: THE DESIGN OF SUPPORTING STRUCTURAL ELEMENTS SHALL BE THE RESPONSIBILITY OF THE PROFESSIONAL OF RECORD FOR THE BUILDING OR STRUCTURE IN ACCORDANCE WITH CURRENT BUILDING CODES

<p>northcentral DOOR COMPANY BEMIDJI, MN 56601</p>		<p>ENGINEERING DRAWING</p>	
<p>TITLE 8'2" MAX. WIDTH, WIND LOAD RATED DOOR</p>			
<p>MODEL # AR-138, ARL-138, LP-138, TR-138, TF-138 AR-II, ARL-II, LP-II, TR-II</p>	<p>REV. NO. 0</p>	<p>SCALE - N/A</p>	<p>SHEET OF</p>
<p>DATE</p>		<p>OF</p>	