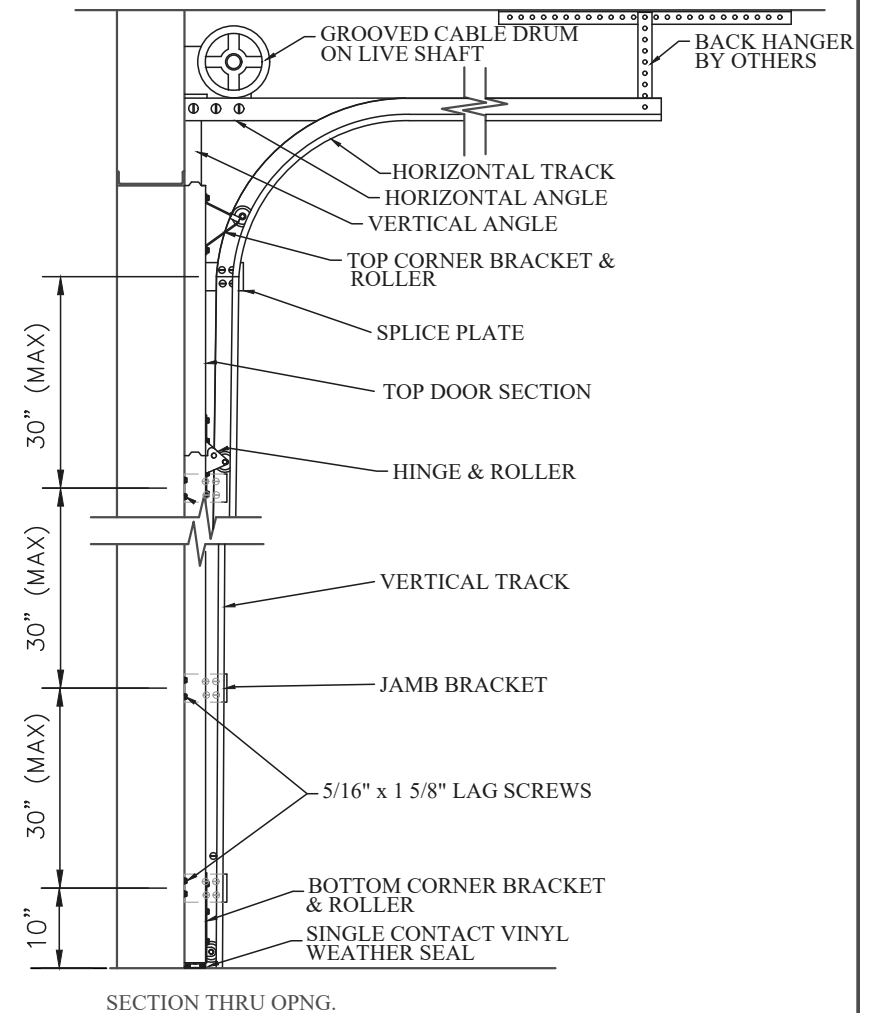
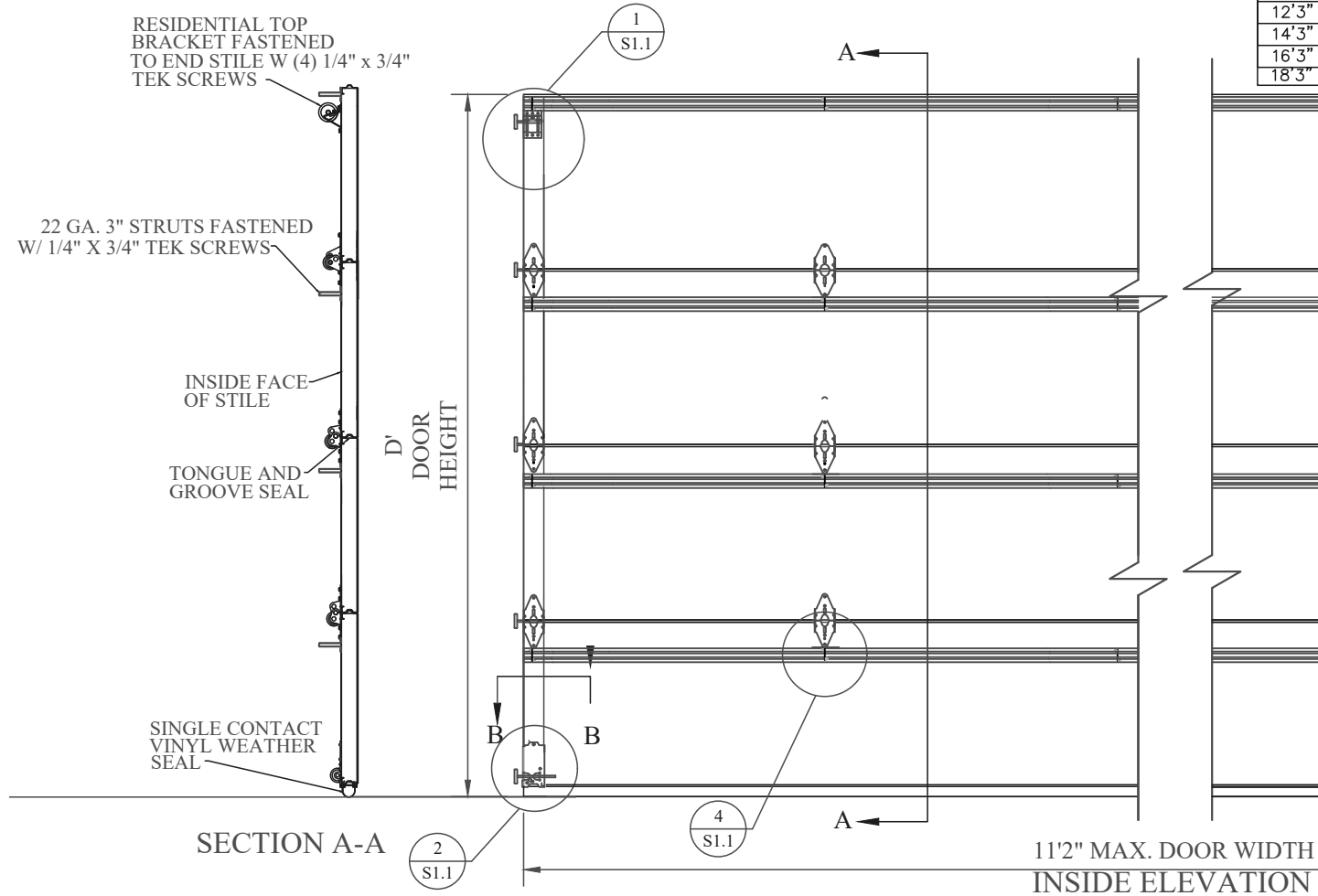


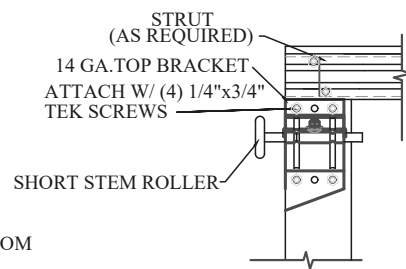
| D | # OF STRUTS |
|--------------|-------------|
| 6' to 8' | 4 STRUTS |
| 8'3" to 10' | 5 STRUTS |
| 10'3" to 12' | 6 STRUTS |
| 12'3" to 14' | 7 STRUTS |
| 14'3" to 16' | 8 STRUTS |
| 16'3" to 18' | 9 STRUTS |
| 18'3" to 20' | 10 STRUTS |

PLACE ONE STRUT ON EVERY SECTION

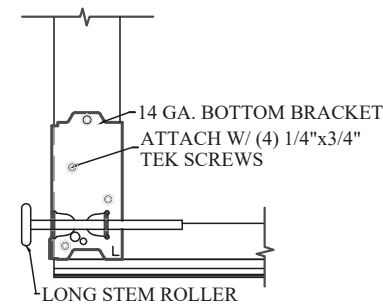


NOTES:

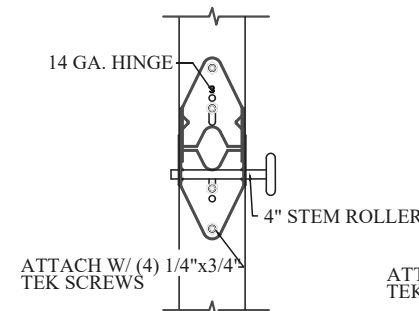
- * DOORS & HARDWARE WILL BE DESIGNED & MANUFACTURED & INSTALLED ACCORDING TO STANDARDS ESTABLISHED BY THE DOOR ACCESS SYSTEMS MANUFACTURING ASSOCIATION (DASMA).
- * IN DOOR SECTIONS WHERE WINDOW LITES ARE INSTALLED, STRUTS MAY BE RELOCATED OVER HINGE LEAFS TO AVOID OBSTRUCTION.
- * AN INSIDE SLIDE LOCK SHOULD BE MOUNTED ON END STILE APPROXIMATELY 31" FROM BOTTOM OF DOOR ON THE INTERIOR LEFT.



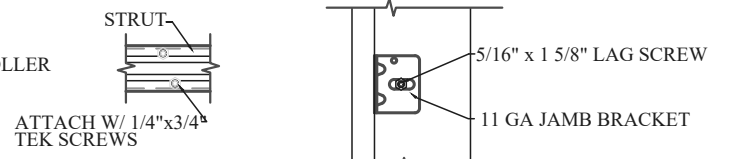
TOP BRACKET DETAIL
DETAIL 1/S1.1



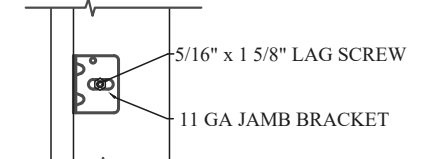
BOTTOM BRACKET DETAIL
DETAIL 2/S1.1



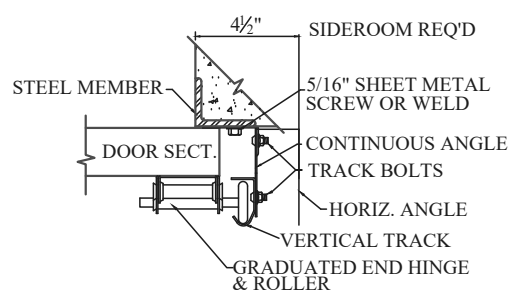
END HINGE DETAIL
DETAIL 3/S1.1



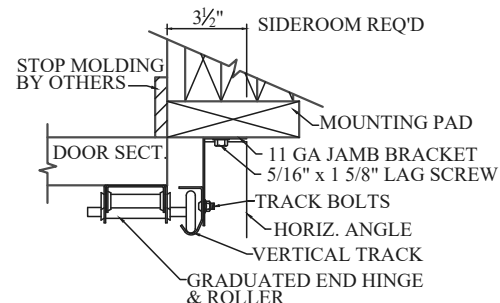
STRUT DETAIL
DETAIL 4/S1.1



JAMB BRACKET DETAIL
DETAIL 5/S1.1



STEEL JAMB DETAIL (TYPICAL)
SECTION 'B-B'



WOOD JAMB DETAIL (TYPICAL)
SECTION 'B-B'

MODELS: TF-II, All 3" Models
 DESIGN PRESSURE +18.0/-20.1 PSF
 TESTED PER THE APPLICABLE REQUIREMENTS OF:
 Pressures conform to ASCE-7-10 with the following parameters:
 115 mph ultimate design wind speed
 Exposure C
 ASTM: E 330 ANSI/DASMA 108-2002

NOTE: THE DESIGN OF SUPPORTING STRUCTURAL ELEMENTS SHALL BE THE RESPONSIBILITY OF THE PROFESSIONAL OF RECORD FOR THE BUILDING OR STRUCTURE IN ACCORDANCE WITH CURRENT BUILDING CODES

| | | | |
|---|--|----------------------------|----|
| | | ENGINEERING DRAWING | |
| | | BEMIDJI, MN 56601 | |
| TITLE | | | |
| 11'2" MAX. WIDTH, WIND LOAD RATED DOOR | | | |
| MODEL # | TF-II, TAS-III, TF-III, TR-III, LP-III, AR-III | REV. NO. | 0 |
| SCALE | N/A | SHEET | OF |
| | | DATE | |