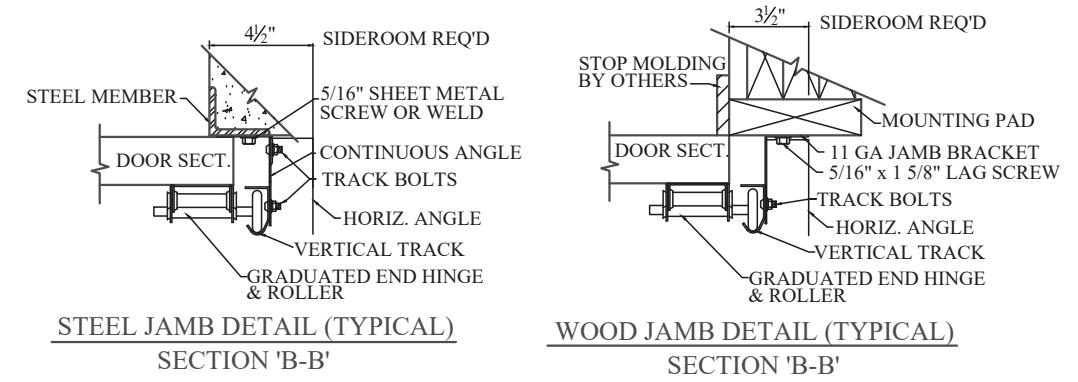
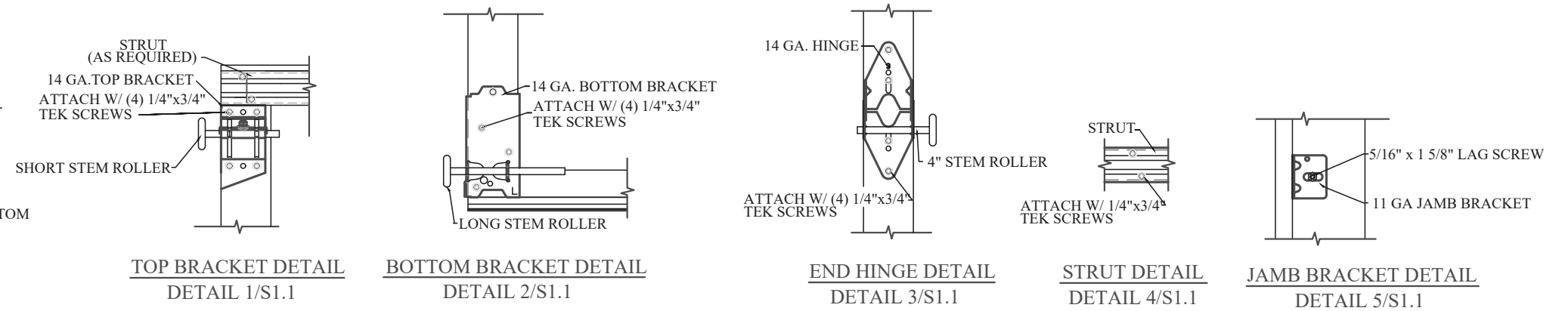



NOTES:

- * DOORS & HARDWARE WILL BE DESIGNED & MANUFACTURED & INSTALLED ACCORDING TO STANDARDS ESTABLISHED BY THE DOOR ACCESS SYSTEMS MANUFACTURING ASSOCIATION (DASMA).
- * IN DOOR SECTIONS WHERE WINDOW LITES ARE INSTALLED, STRUTS MAY BE RELOCATED OVER HINGE LEAFS TO AVOID OBSTRUCTION.
- * AN INSIDE SLIDE LOCK SHOULD BE MOUNTED ON END STILE APPROXIMATELY 31" FROM BOTTOM OF DOOR ON THE INTERIOR LEFT.



MODELS: ALL MODELS
 DESIGN PRESSURE +12.4/-13.8 PSF
 TEST PRESSURE +18.6/-20.7 PSF
 TESTED PER THE APPLICABLE REQUIREMENTS OF:
 Pressures conform to ASCE-7-10 with the following parameters:
 115 mph ultimate design wind speed
 Exposure B
 ASTM: E 330 ANSI/DASMA 108-2002

NOTE: THE DESIGN OF SUPPORTING STRUCTURAL ELEMENTS SHALL BE THE RESPONSIBILITY OF THE PROFESSIONAL OF RECORD FOR THE BUILDING OR STRUCTURE IN ACCORDANCE WITH CURRENT BUILDING CODES

		ENGINEERING DRAWING	
		BEMIDJI, MN 56601	
TITLE			
14'2" MAX. WIDTH, WIND LOAD RATED DOOR			
MODEL #	LP, AR, TR, TF, ARL-138, AR, ARL, LP, TF, TR-2, AR, TR, LP, TAS, TF, ARL-3	REV. NO.	0
SCALE	N/A	SHEET	OF
		DATE	