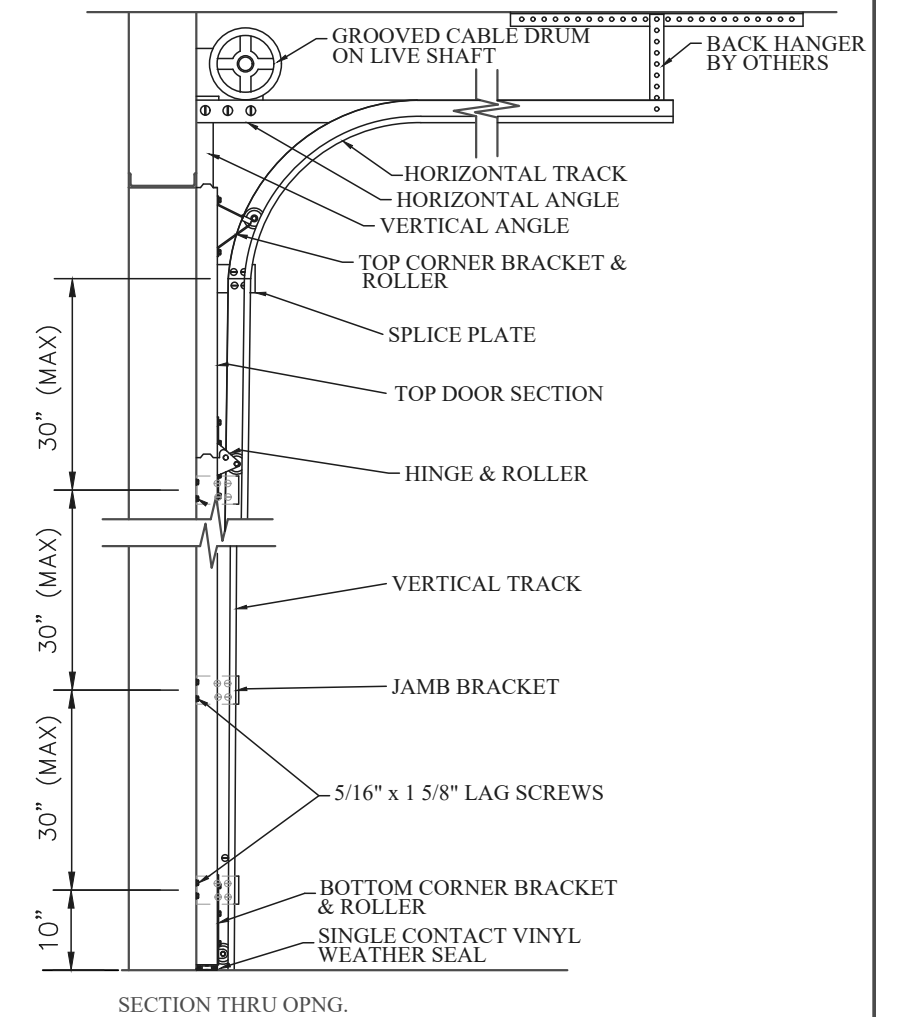
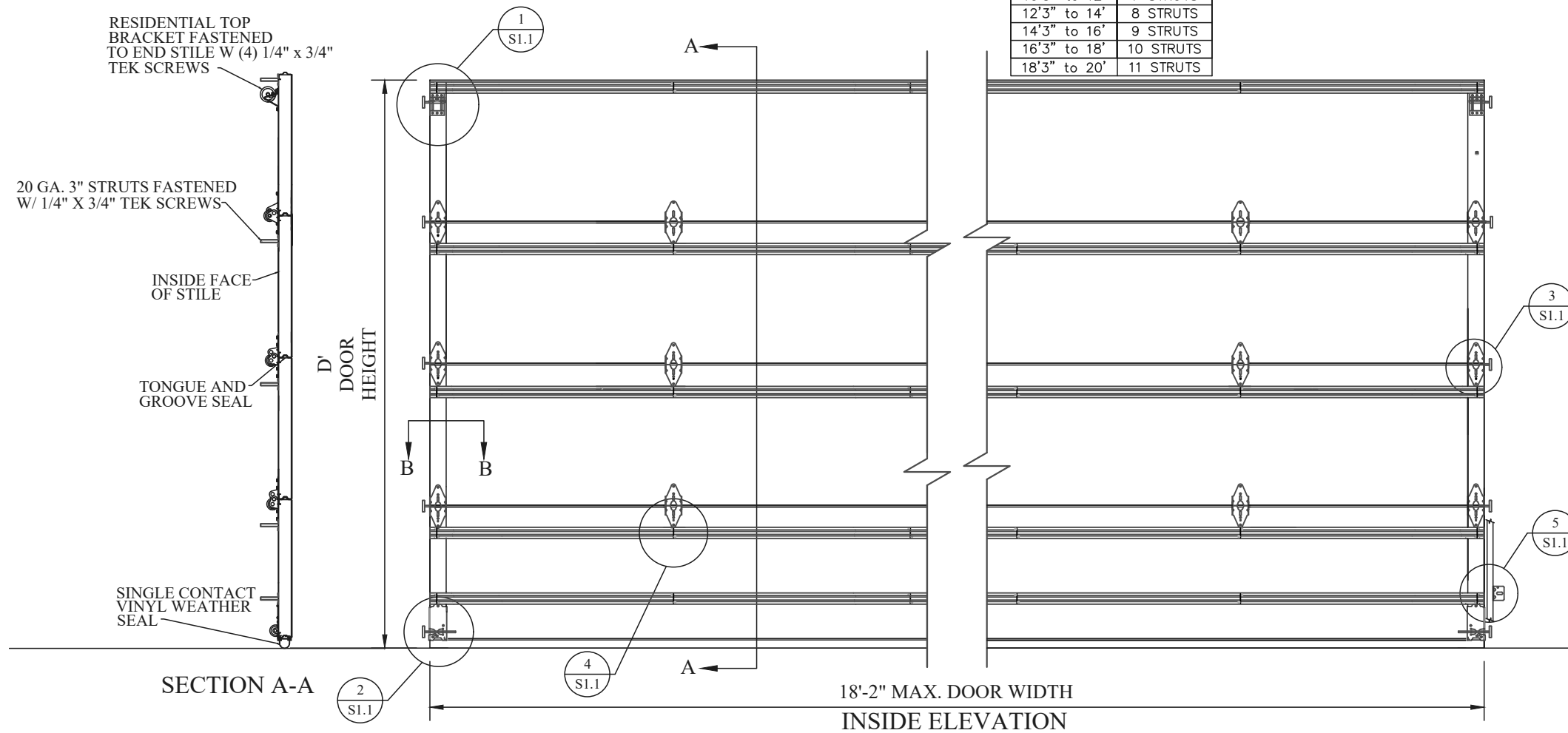


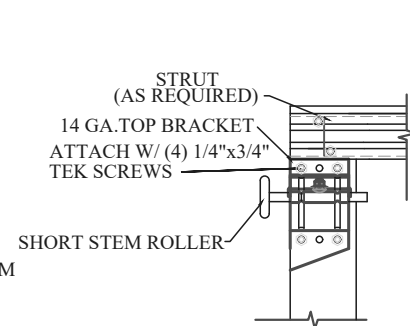
| D | # OF STRUTS |
|--------------|-------------|
| 6' to 8' | 5 STRUTS |
| 8'3" to 10' | 6 STRUTS |
| 10'3" to 12' | 7 STRUTS |
| 12'3" to 14' | 8 STRUTS |
| 14'3" to 16' | 9 STRUTS |
| 16'3" to 18' | 10 STRUTS |
| 18'3" to 20' | 11 STRUTS |

PLACE TWO STRUTS ON THE BOTTOM SECTION.
PLACE ONE STRUT ON ALL OTHER SECTIONS

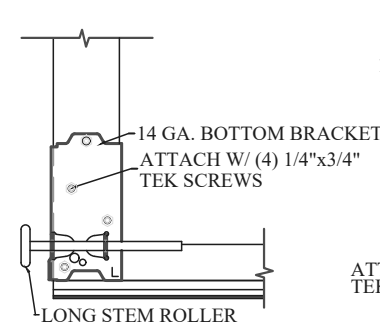


NOTES:

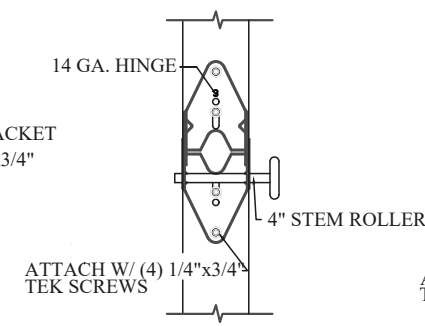
- * DOORS & HARDWARE WILL BE DESIGNED & MANUFACTURED & INSTALLED ACCORDING TO STANDARDS ESTABLISHED BY THE DOOR ACCESS SYSTEMS MANUFACTURING ASSOCIATION (DASMA).
- * IN DOOR SECTIONS WHERE WINDOW LITES ARE INSTALLED, STRUTS MAY BE RELOCATED OVER HINGE LEAFS TO AVOID OBSTRUCTION.
- * AN INSIDE SLIDE LOCK SHOULD BE MOUNTED ON END STILE APPROXIMATELY 31" FROM BOTTOM OF DOOR ON THE INTERIOR LEFT.



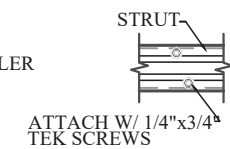
TOP BRACKET DETAIL
DETAIL 1/S1.1



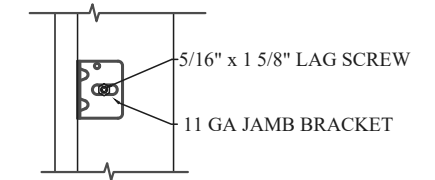
BOTTOM BRACKET DETAIL
DETAIL 2/S1.1



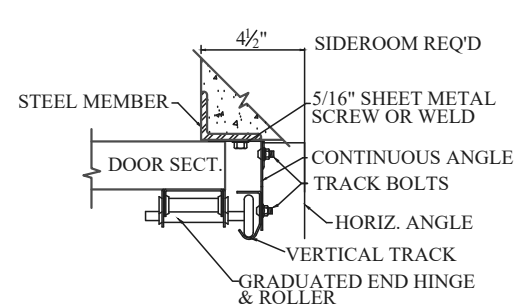
END HINGE DETAIL
DETAIL 3/S1.1



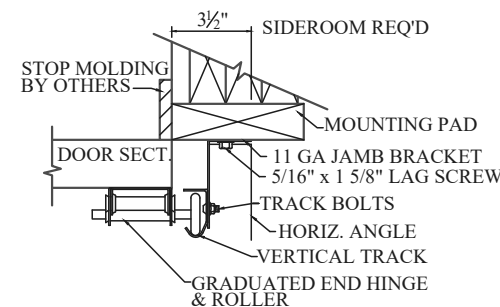
STRUT DETAIL
DETAIL 4/S1.1



JAMB BRACKET DETAIL
DETAIL 5/S1.1



STEEL JAMB DETAIL (TYPICAL)
SECTION 'B-B'




WOOD JAMB DETAIL (TYPICAL)
SECTION 'B-B'

MODELS: TR-138, TF-138, AR-138, LP-138, TF-2, LP-2, AR-II, TAS III

DESIGN PRESSURE +12.4/-13.8 PSF
TEST PRESSURE +18.6/-20.7 PSF
TESTED PER THE APPLICABLE REQUIREMENTS OF:
ASTM: E 330 ANSI/DASMA 108-2002

NOTE: THE DESIGN OF SUPPORTING STRUCTURAL ELEMENTS SHALL BE THE RESPONSIBILITY OF THE PROFESSIONAL OF RECORD FOR THE BUILDING OR STRUCTURE IN ACCORDANCE WITH CURRENT BUILDING CODES



northcentral
DOOR COMPANY
BEMIDJI, MN 56601

ENGINEERING DRAWING

TITLE
18'-2" MAX. WIDTH, WIND LOAD RATED DOOR

| | |
|---|------------------------------------|
| MODEL # TR-138, TF-138, AR-138, LP-138 LP-2, TF-2, AR-II, TAS III | REV. NO. 3 |
| SCALE - N/A | SHEET _____ OF _____ |
| | DATE _____ |