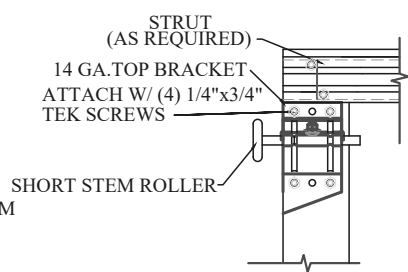
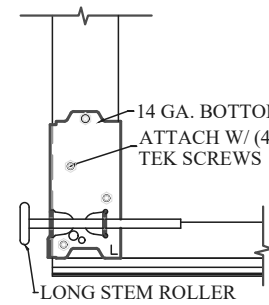


**NOTES:**

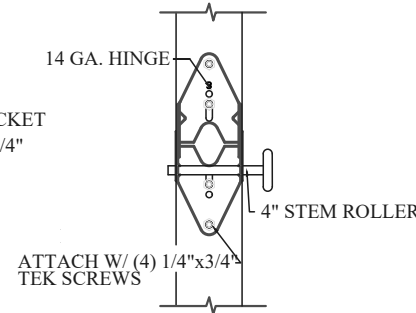
- \* DOORS & HARDWARE WILL BE DESIGNED & MANUFACTURED & INSTALLED ACCORDING TO STANDARDS ESTABLISHED BY THE DOOR ACCESS SYSTEMS MANUFACTURING ASSOCIATION (DASMA).
- \* IN DOOR SECTIONS WHERE WINDOW LITES ARE INSTALLED, STRUTS MAY BE RELOCATED OVER HINGE LEAFS TO AVOID OBSTRUCTION.
- \* AN INSIDE SLIDE LOCK SHOULD BE MOUNTED ON END STILE APPROXIMATELY 31" FROM BOTTOM OF DOOR ON THE INTERIOR LEFT.



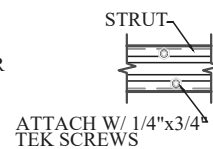
**TOP BRACKET DETAIL**  
DETAIL 1/S1.1



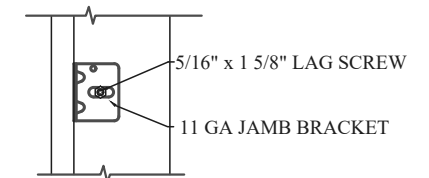
**BOTTOM BRACKET DETAIL**  
DETAIL 2/S1.1



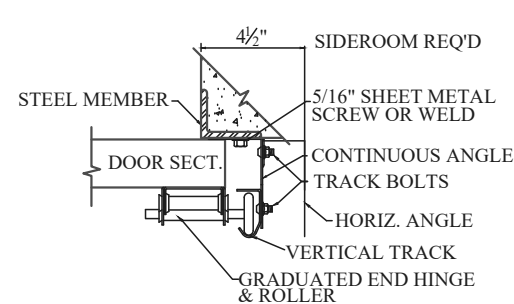
**END HINGE DETAIL**  
DETAIL 3/S1.1



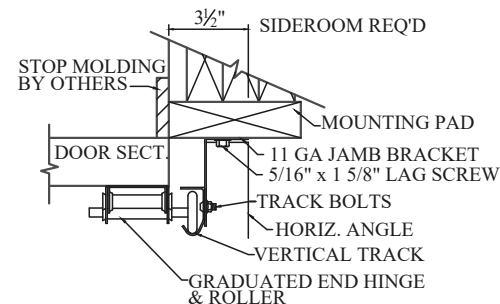
**STRUT DETAIL**  
DETAIL 4/S1.1



**JAMB BRACKET DETAIL**  
DETAIL 5/S1.1




**STEEL JAMB DETAIL (TYPICAL)**  
SECTION 'B-B'



**WOOD JAMB DETAIL (TYPICAL)**  
SECTION 'B-B'

MODELS: RP-25/CT-24  
 DESIGN PRESSURE +12.8/-14.8 PSF  
 TEST PRESSURE +19.2/-22.2 PSF  
 TESTED PER THE APPLICABLE REQUIREMENTS OF:  
 ASTM: E 330 ANSI/DASMA 108-2002

NOTE: THE DESIGN OF SUPPORTING STRUCTURAL ELEMENTS SHALL BE THE RESPONSIBILITY OF THE PROFESSIONAL OF RECORD FOR THE BUILDING OR STRUCTURE IN ACCORDANCE WITH CURRENT BUILDING CODES

		<b>ENGINEERING DRAWING</b>	
<b>TITLE</b> 10' 2" MAX. WIDTH WINDLOAD RATED DOOR			
<b>MODEL #</b> RP-25/AR-25/CT-24		<b>REV. NO.</b> 3	
<b>SCALE</b> - N/A		<b>SHEET</b> OF	
		<b>DATE</b>	