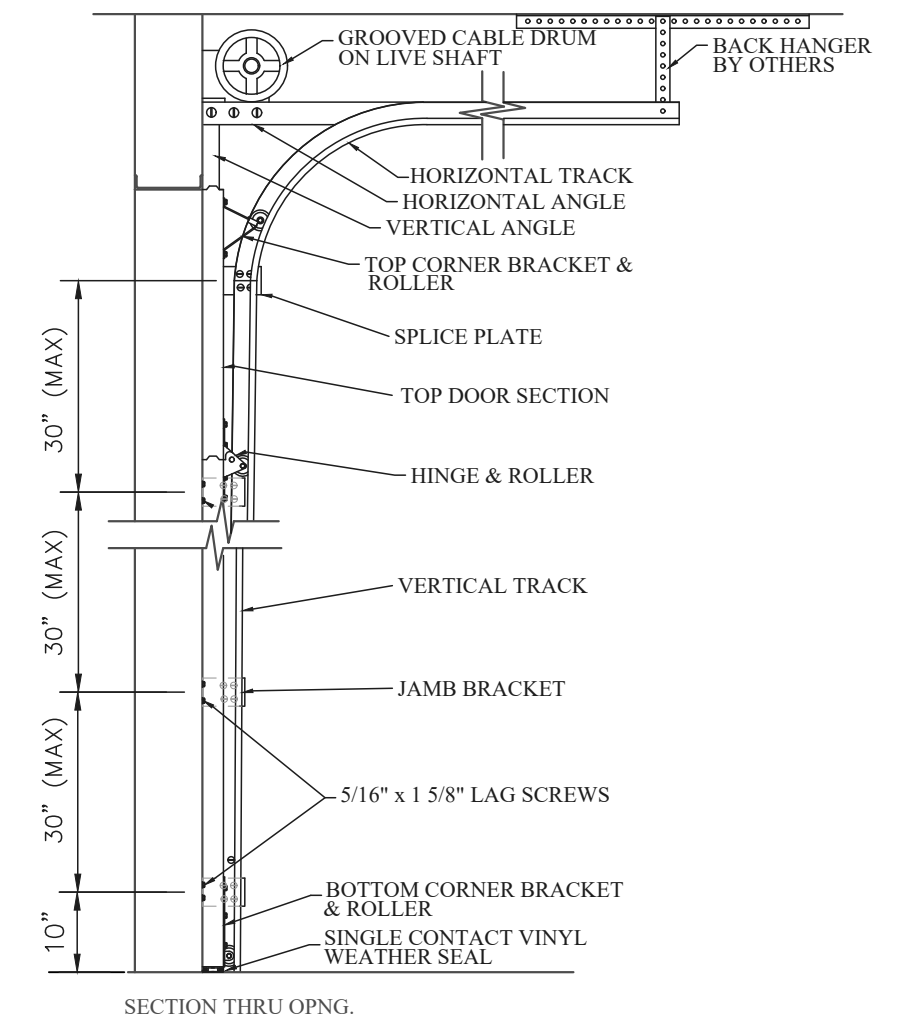


D	# OF STRUTS
6' to 8'	3 STRUTS
8'3" to 12'	4 STRUTS
12'3" to 16'	5 STRUTS
16'3" to 20'	6 STRUTS

PLACE ONE STRUT ON BOTTOM SECTION.
 PLACE ONE STRUT ON TOP SECTION.
 PLACE REMAINING STRUTS EVENLY SPACED BETWEEN TOP AND BOTTOM STRUTS.

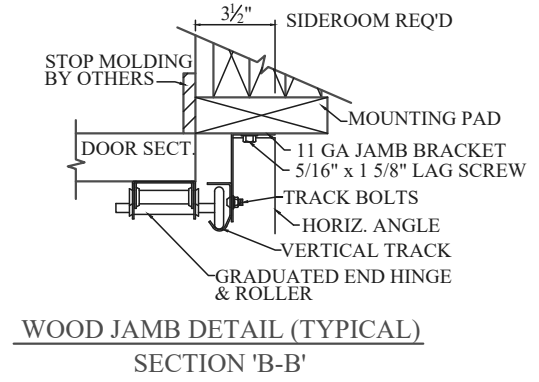
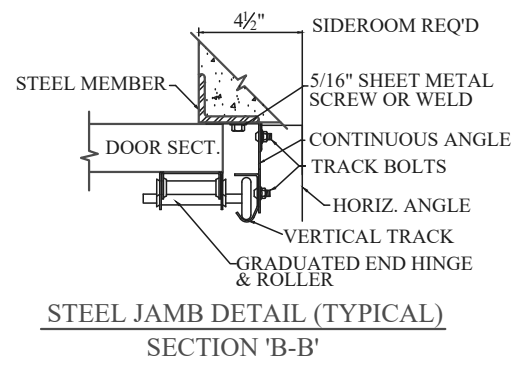
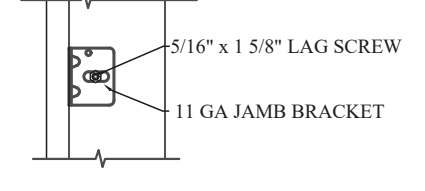
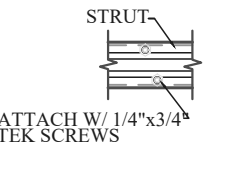
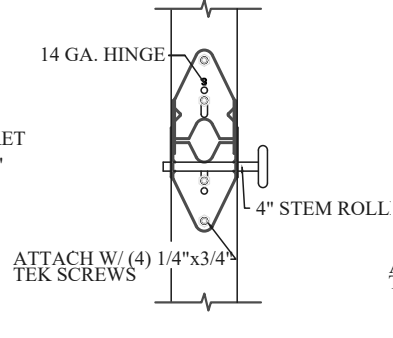
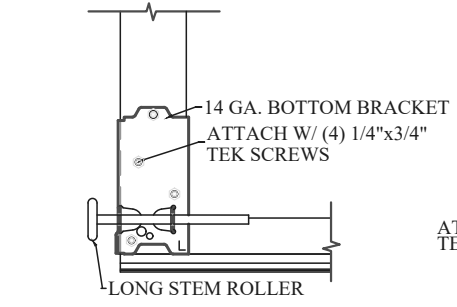
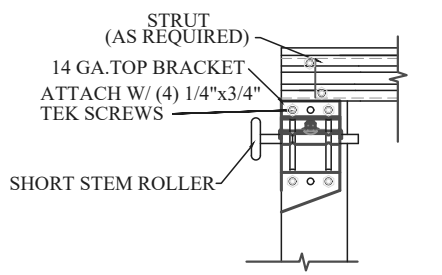


NOTES:

* DOORS & HARDWARE WILL BE DESIGNED & MANUFACTURED & INSTALLED ACCORDING TO STANDARDS ESTABLISHED BY THE DOOR ACCESS SYSTEMS MANUFACTURING ASSOCIATION (DASMA).

* IN DOOR SECTIONS WHERE WINDOW LITES ARE INSTALLED, STRUTS MAY BE RELOCATED OVER HINGE LEAFS TO AVOID OBSTRUCTION.

* AN INSIDE SLIDE LOCK SHOULD BE MOUNTED ON END STILE APPROXIMATELY 31" FROM BOTTOM OF DOOR ON THE INTERIOR LEFT.



MODELS: TR-138, TF-138, TF-2, AR-138, SR SERIES
 DESIGN PRESSURE +12.8/-14.8 PSF
 TEST PRESSURE +19.2/-22.2 PSF
 TESTED PER THE APPLICABLE REQUIREMENTS OF:
 ASTM: E 330 ANSI/DASMA 108-2002

NOTE: THE DESIGN OF SUPPORTING STRUCTURAL ELEMENTS SHALL BE THE RESPONSIBILITY OF THE PROFESSIONAL OF RECORD FOR THE BUILDING OR STRUCTURE IN ACCORDANCE WITH CURRENT BUILDING CODES

		ENGINEERING DRAWING	
		BEMIDJI, MN 56601	
TITLE			
10' 2" MAX. WIDTH, WIND LOAD RATED DOOR			
MODEL #	SPECIAL RESERVE	REV. NO.	3
SCALE	N/A	SHEET	OF
		DATE	