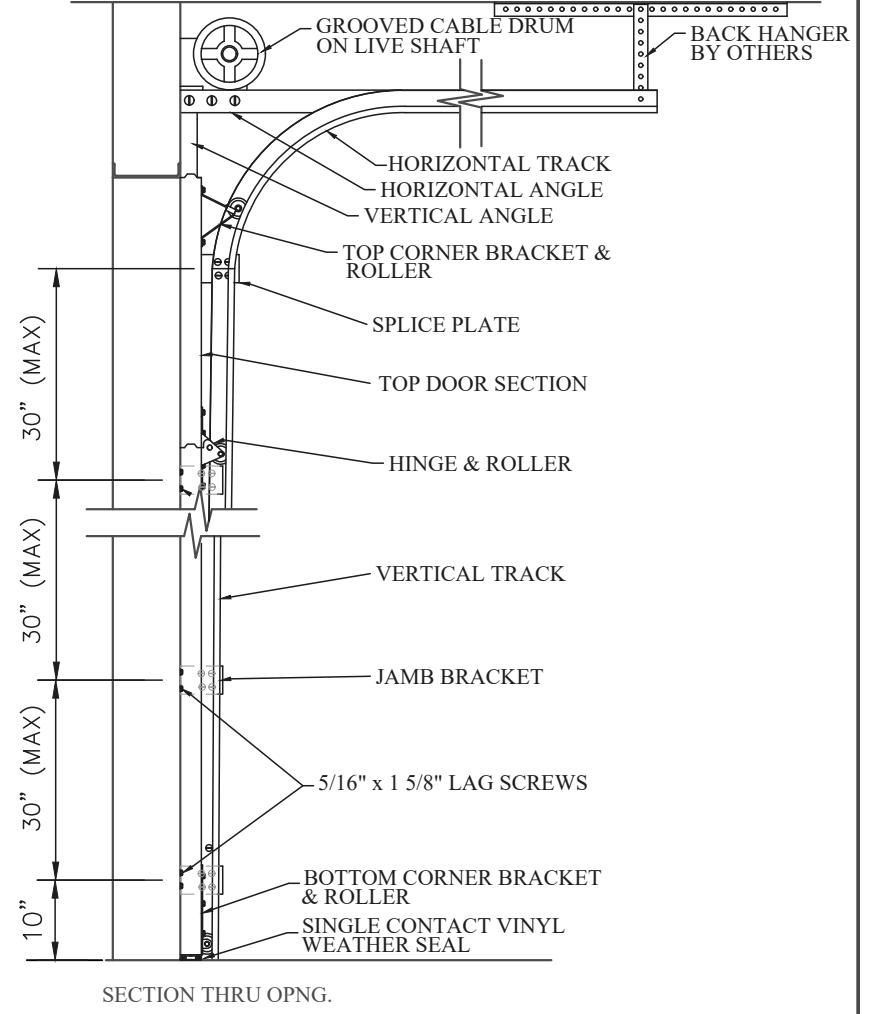
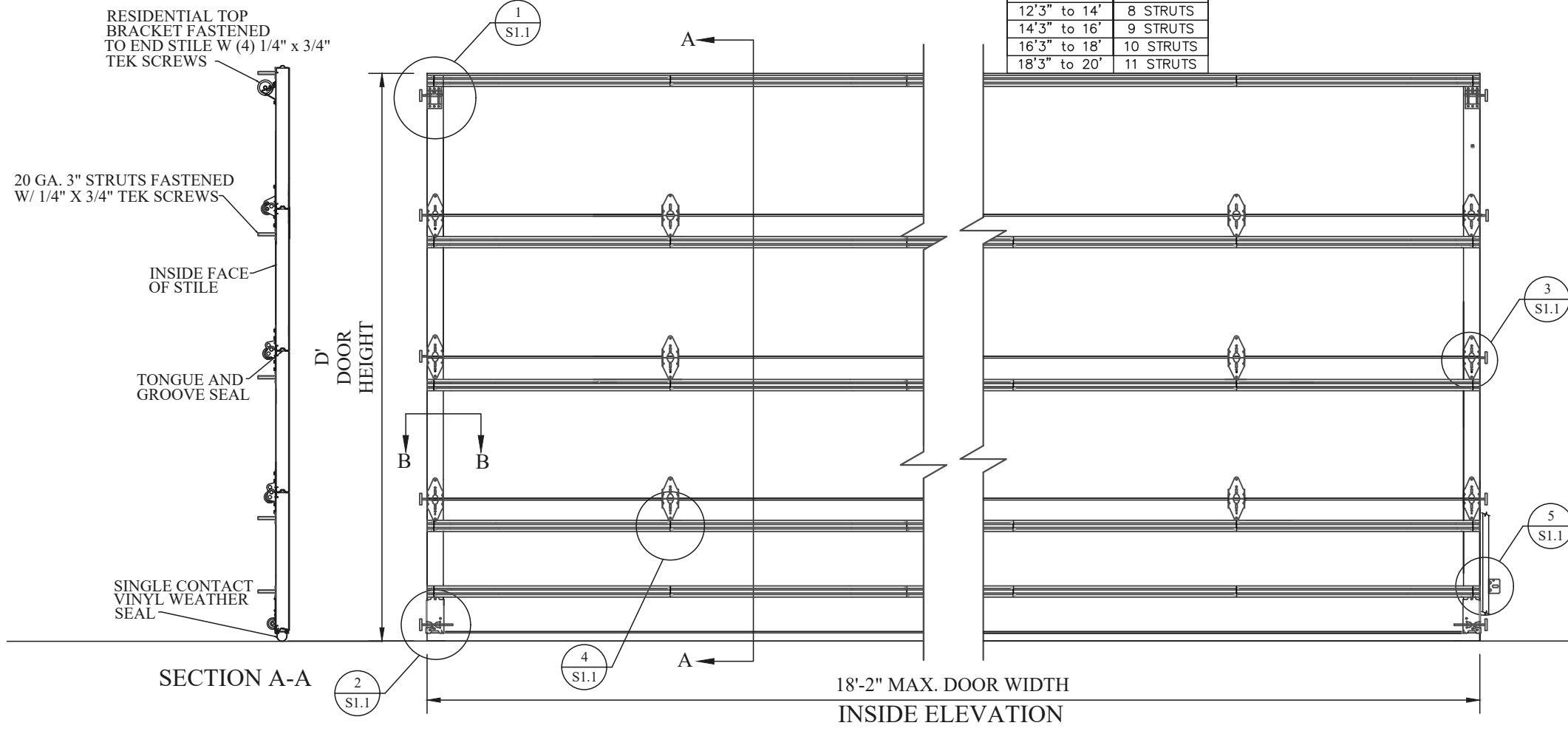


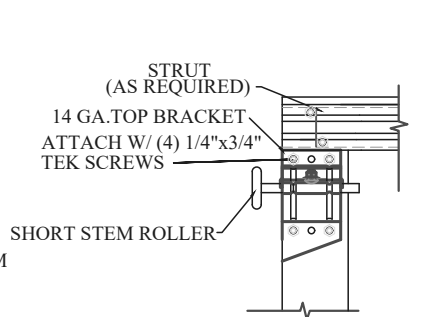
D	# OF STRUTS
6' to 8'	5 STRUTS
8'3" to 10'	6 STRUTS
10'3" to 12'	7 STRUTS
12'3" to 14'	8 STRUTS
14'3" to 16'	9 STRUTS
16'3" to 18'	10 STRUTS
18'3" to 20'	11 STRUTS

PLACE TWO STRUTS ON THE BOTTOM SECTION.
PLACE ONE STRUT ON ALL OTHER SECTIONS

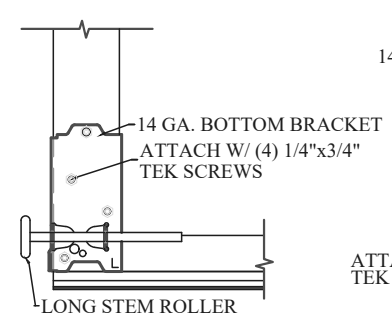


NOTES:

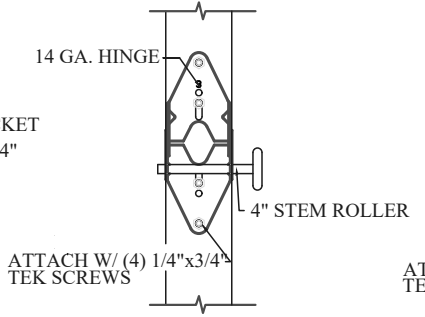
- * DOORS & HARDWARE WILL BE DESIGNED & MANUFACTURED & INSTALLED ACCORDING TO STANDARDS ESTABLISHED BY THE DOOR ACCESS SYSTEMS MANUFACTURING ASSOCIATION (DASMA).
- * IN DOOR SECTIONS WHERE WINDOW LITES ARE INSTALLED, STRUTS MAY BE RELOCATED OVER HINGE LEAFS TO AVOID OBSTRUCTION.
- * AN INSIDE SLIDE LOCK SHOULD BE MOUNTED ON END STILE APPROXIMATELY 31" FROM BOTTOM OF DOOR ON THE INTERIOR LEFT.



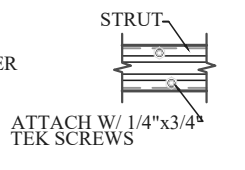
TOP BRACKET DETAIL
DETAIL 1/S1.1



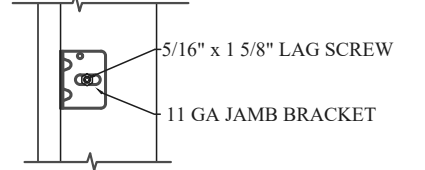
BOTTOM BRACKET DETAIL
DETAIL 2/S1.1



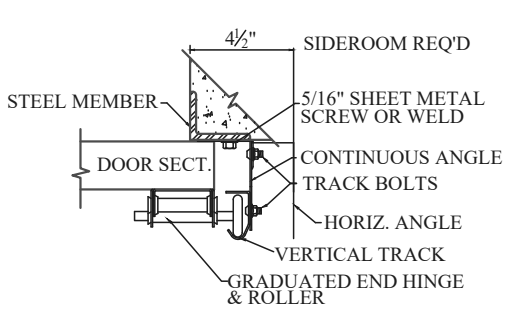
END HINGE DETAIL
DETAIL 3/S1.1



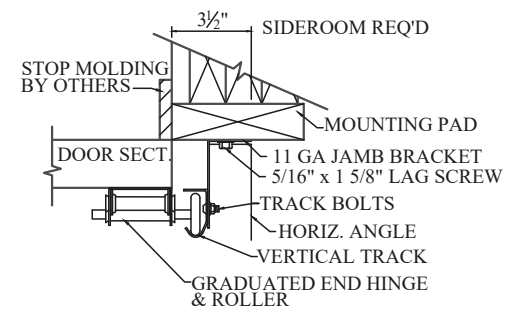
STRUT DETAIL
DETAIL 4/S1.1



JAMB BRACKET DETAIL
DETAIL 5/S1.1




STEEL JAMB DETAIL (TYPICAL)
SECTION 'B-B'



WOOD JAMB DETAIL (TYPICAL)
SECTION 'B-B'

MODELS: TR-138, TF-138, TF-2, AR-138, SR SERIES
 DESIGN PRESSURE +12.4/-13.8 PSF
 TEST PRESSURE +18.6/-20.7 PSF
 TESTED PER THE APPLICABLE REQUIREMENTS OF:
 ASTM: E 330 ANSI/DASMA 108-2002

NOTE: THE DESIGN OF SUPPORTING STRUCTURAL ELEMENTS SHALL BE THE RESPONSIBILITY OF THE PROFESSIONAL OF RECORD FOR THE BUILDING OR STRUCTURE IN ACCORDANCE WITH CURRENT BUILDING CODES

		ENGINEERING DRAWING	
		18'-2" MAX. WIDTH, WIND LOAD RATED DOOR	
MODEL # SPECIAL RESERVE SCALE - <u> N/A </u>		REV. NO. <u> 3 </u> SHEET <u> </u> OF <u> </u> DATE <u> </u>	