

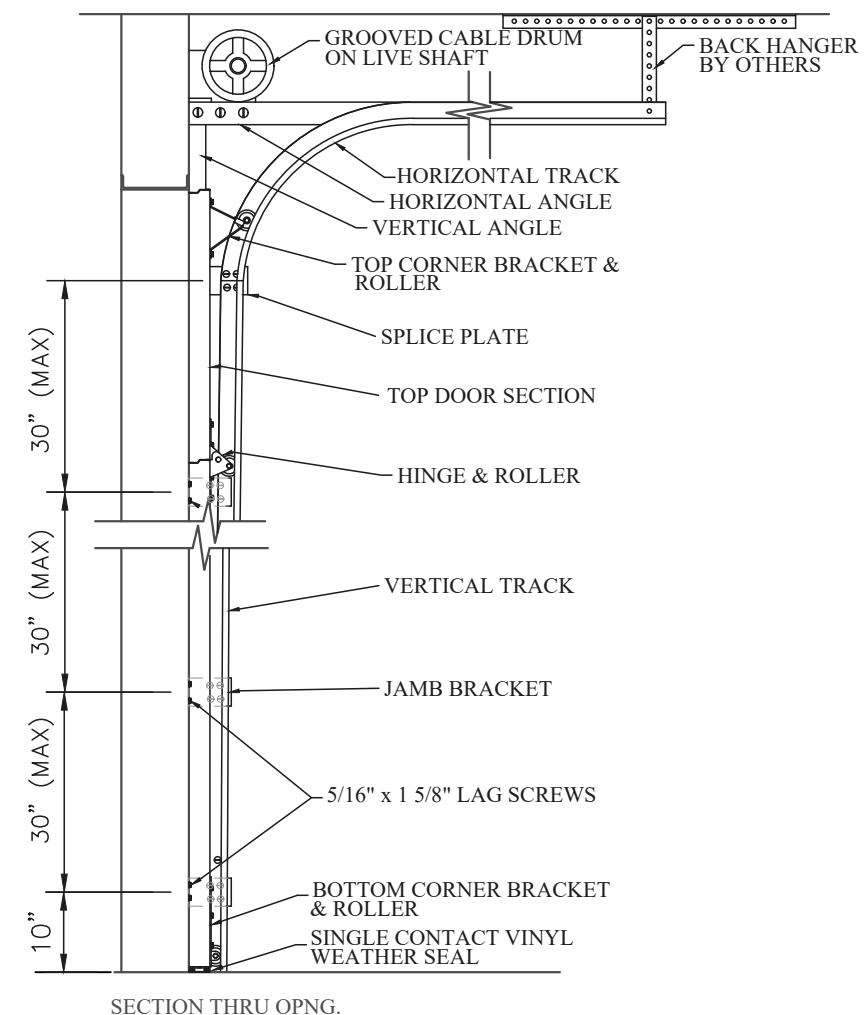
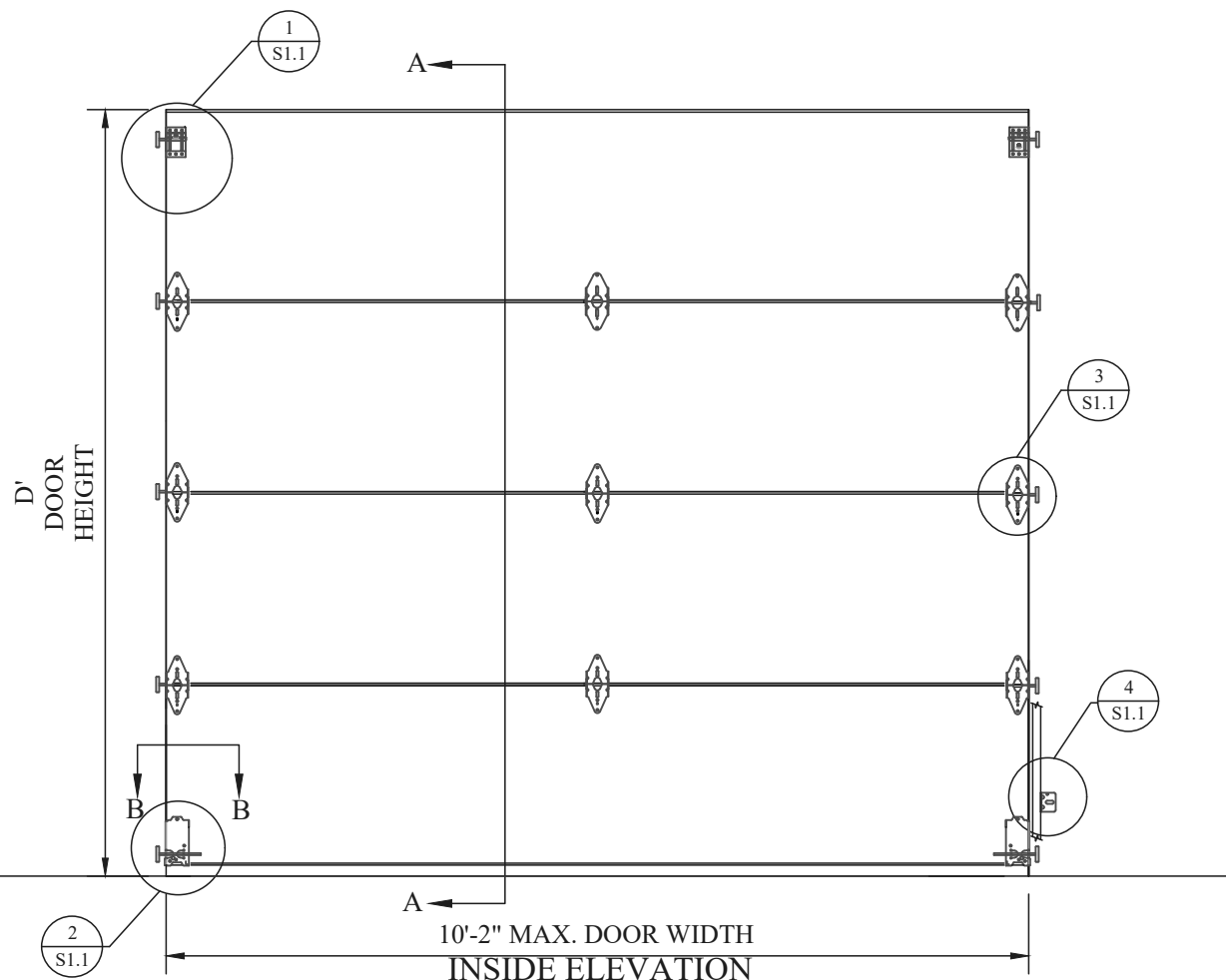
RESIDENTIAL TOP BRACKET FASTENED TO END STILE W (4) 1/4" x 1 1/4" LAG SCREWS

INTERLOC JOINTS (TRIPLE CONTACT SEAL)

INSIDE FACE

SINGLE CONTACT VINYL WEATHER SEAL

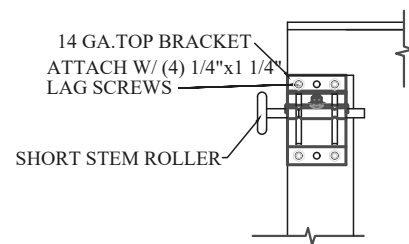
SECTION A-A



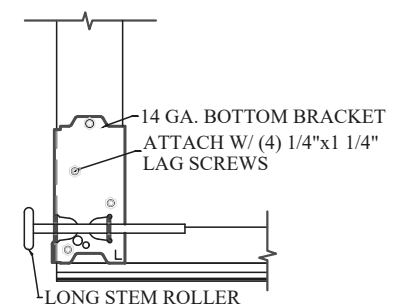
NOTES:

\* DOORS & HARDWARE WILL BE DESIGNED & MANUFACTURED & INSTALLED ACCORDING TO STANDARDS ESTABLISHED BY THE DOOR ACCESS SYSTEMS MANUFACTURING ASSOCIATION (DASMA).

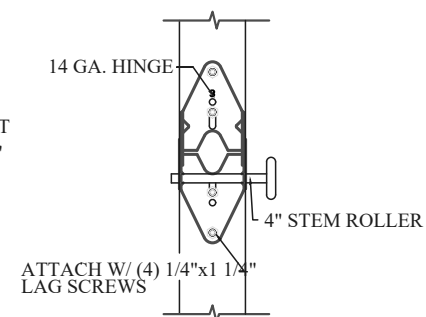
\* AN INSIDE SLIDE LOCK SHOULD BE MOUNTED ON END STILE APPROXIMATELY 31" FROM BOTTOM OF DOOR ON THE INTERIOR LEFT.



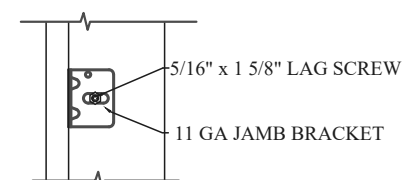
TOP BRACKET DETAIL  
DETAIL 1/S1.1



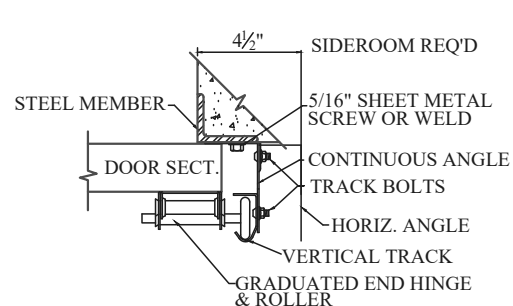
BOTTOM BRACKET DETAIL  
DETAIL 2/S1.1



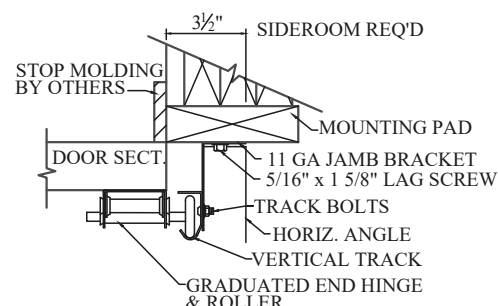
END HINGE DETAIL  
DETAIL 3/S1.1



JAMB BRACKET DETAIL  
DETAIL 4/S1.1



STEEL JAMB DETAIL (TYPICAL)  
SECTION 'B-B'





WOOD JAMB DETAIL (TYPICAL)  
SECTION 'B-B'

MODELS: Standard+, G-5000, Top Tec  
Raised Panel 21"x13", 40"x13", 18 3/4"x15", Flush, Grooves, Overlay

DESIGN PRESSURE +12.7/-14.3 PSF  
TEST PRESSURE +19.1/-21.5 PSF

TESTED PER THE APPLICABLE REQUIREMENTS OF:  
ASTM: E 330 ANSI/DASMA 108-2017

NOTE: THE DESIGN OF SUPPORTING STRUCTURAL ELEMENTS SHALL BE THE RESPONSIBILITY OF THE PROFESSIONAL OF RECORD FOR THE BUILDING OR STRUCTURE IN ACCORDANCE WITH CURRENT BUILDING CODES

		<b>ENGINEERING DRAWING</b>	
BEMIDJI, MN 56601			
<b>TITLE</b> 10'2" MAX. WIDTH, WIND LOAD RATED DOOR			
<b>MODEL</b>	GARAGA 1 3/4" POLYURETHANE INJECTED	<b>REV. NO.</b>	0
<b>SCALE</b>	- N/A	<b>SHEET</b>	OF
		<b>DATE</b>	