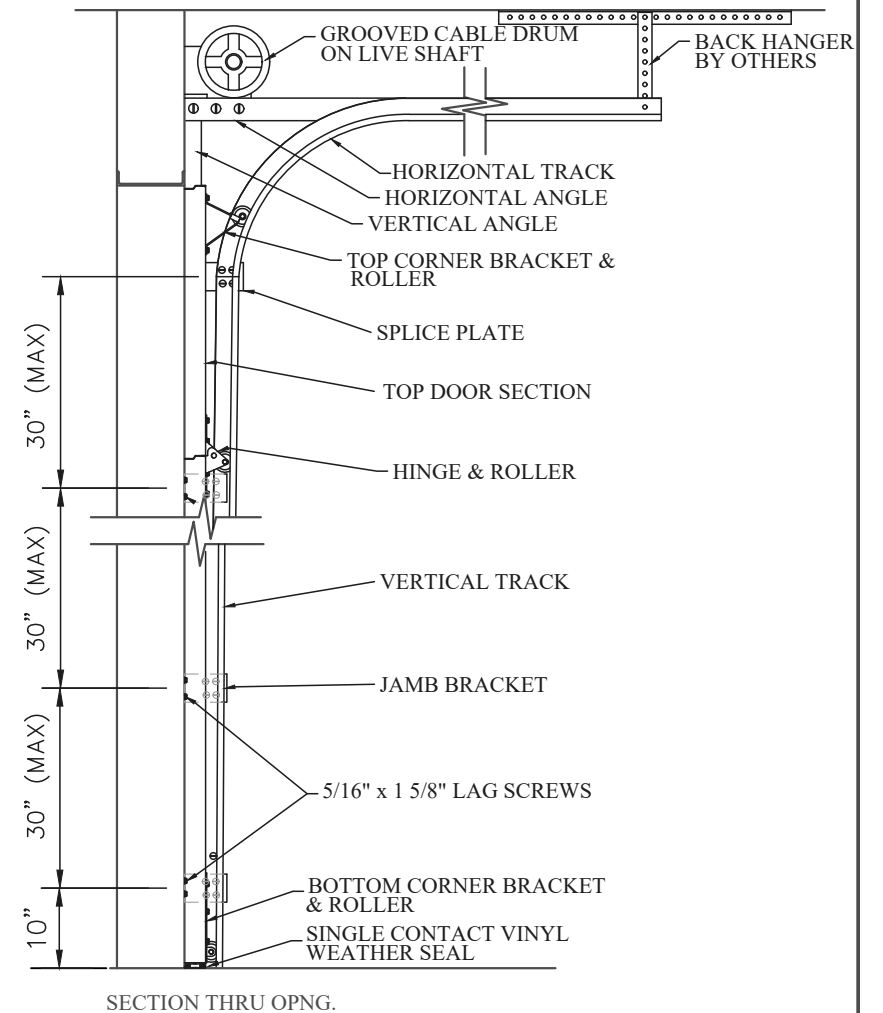
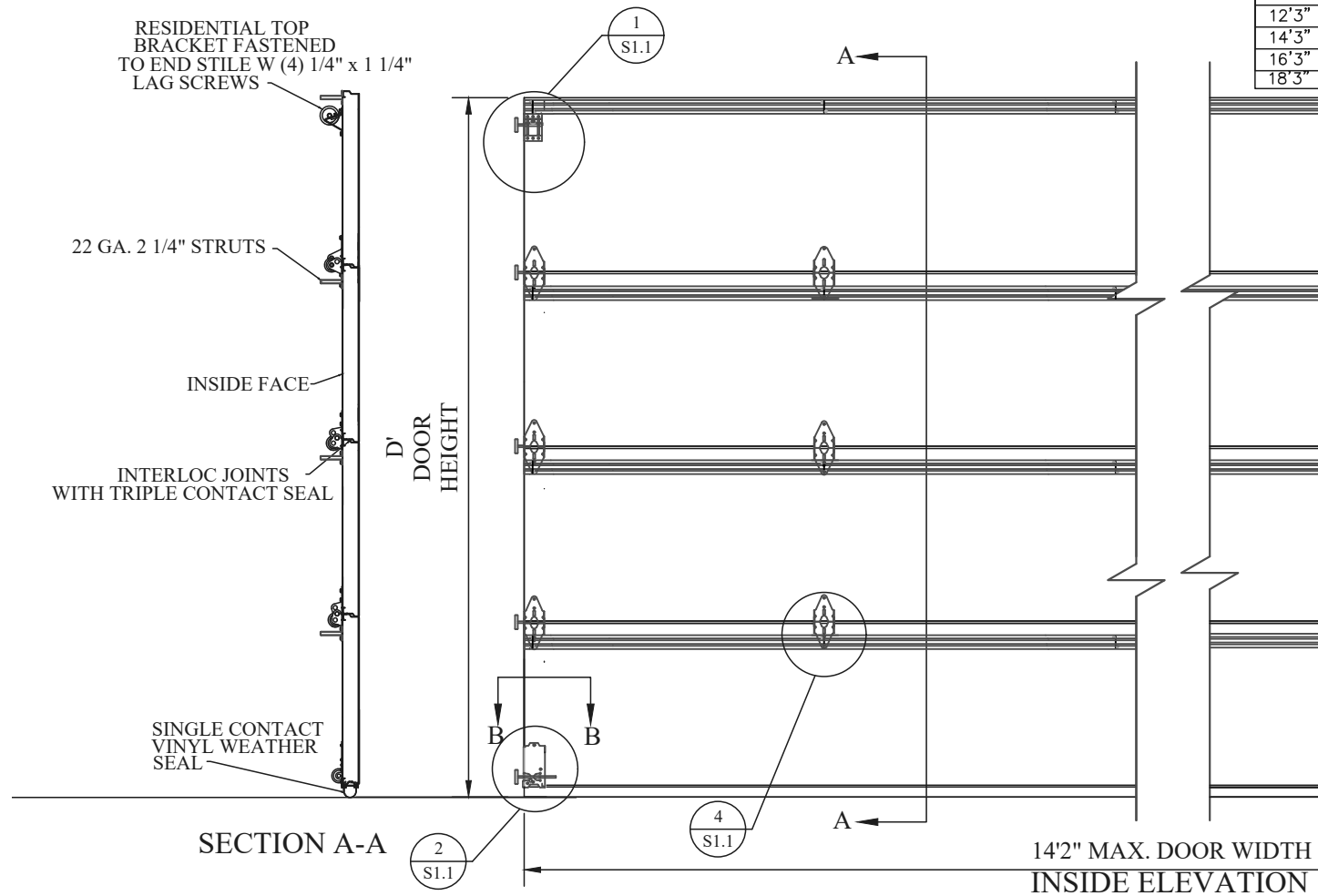


D	# OF STRUTS
6' to 8'	4 STRUTS
8'3" to 10'	5 STRUTS
10'3" to 12'	6 STRUTS
12'3" to 14'	7 STRUTS
14'3" to 16'	8 STRUTS
16'3" to 18'	9 STRUTS
18'3" to 20'	10 STRUTS

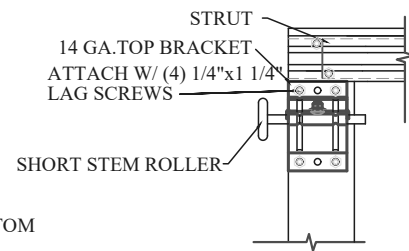
PLACE ONE STRUT ON EACH SECTION



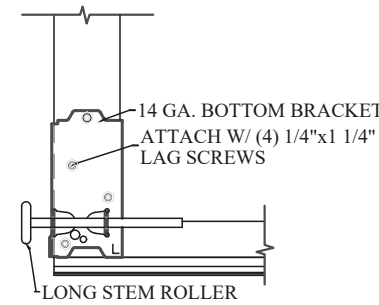
**NOTES:**

\* DOORS & HARDWARE WILL BE DESIGNED & MANUFACTURED & INSTALLED ACCORDING TO STANDARDS ESTABLISHED BY THE DOOR ACCESS SYSTEMS MANUFACTURING ASSOCIATION (DASMA).

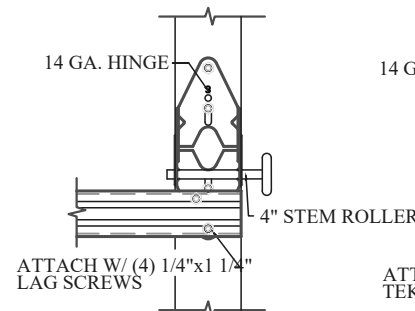
\* AN INSIDE SLIDE LOCK SHOULD BE MOUNTED ON END STILE APPROXIMATELY 31" FROM BOTTOM OF DOOR ON THE INTERIOR LEFT.



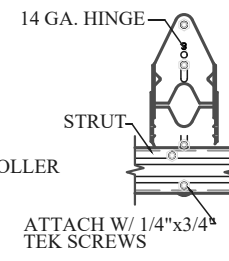
TOP BRACKET DETAIL  
DETAIL 1/S1.1



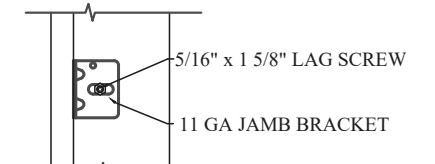
BOTTOM BRACKET DETAIL  
DETAIL 2/S1.1



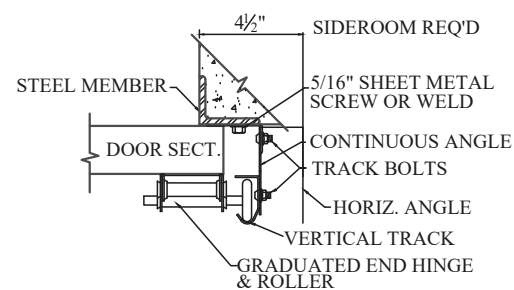
END HINGE DETAIL  
DETAIL 3/S1.1



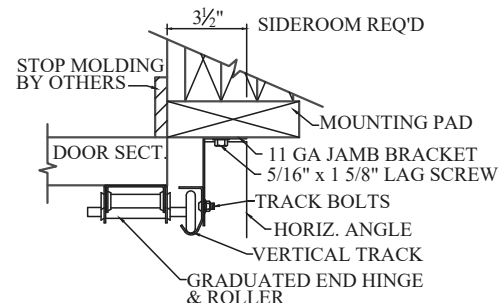
STRUT DETAIL  
DETAIL 4/S1.1



JAMB BRACKET DETAIL  
DETAIL 5/S1.1



STEEL JAMB DETAIL (TYPICAL)  
SECTION 'B-B'



WOOD JAMB DETAIL (TYPICAL)  
SECTION 'B-B'

MODELS: Standard+, G-5000, Top Tec  
Raised Panel 21"x13", 40"x13", 18 3/4"x15", Flush, Grooves, Overlay

DESIGN PRESSURE +15.2/-16.9 PSF  
TEST PRESSURE +22.8/-25.4 PSF  
TESTED PER THE APPLICABLE REQUIREMENTS OF:  
ASTM: E 330 ANSI/DASMA 108-2017

NOTE: THE DESIGN OF SUPPORTING STRUCTURAL ELEMENTS SHALL BE THE RESPONSIBILITY OF THE PROFESSIONAL OF RECORD FOR THE BUILDING OR STRUCTURE IN ACCORDANCE WITH CURRENT BUILDING CODES



BEMIDJI, MN 56601

**ENGINEERING DRAWING**



TITLE		14'2" MAX. WIDTH, WIND LOAD RATED DOOR	
MODEL	GARAGA 1 3/4" POLYURETHANE INJECTED	REV. NO.	0
SCALE	N/A	SHEET	OF
		DATE	