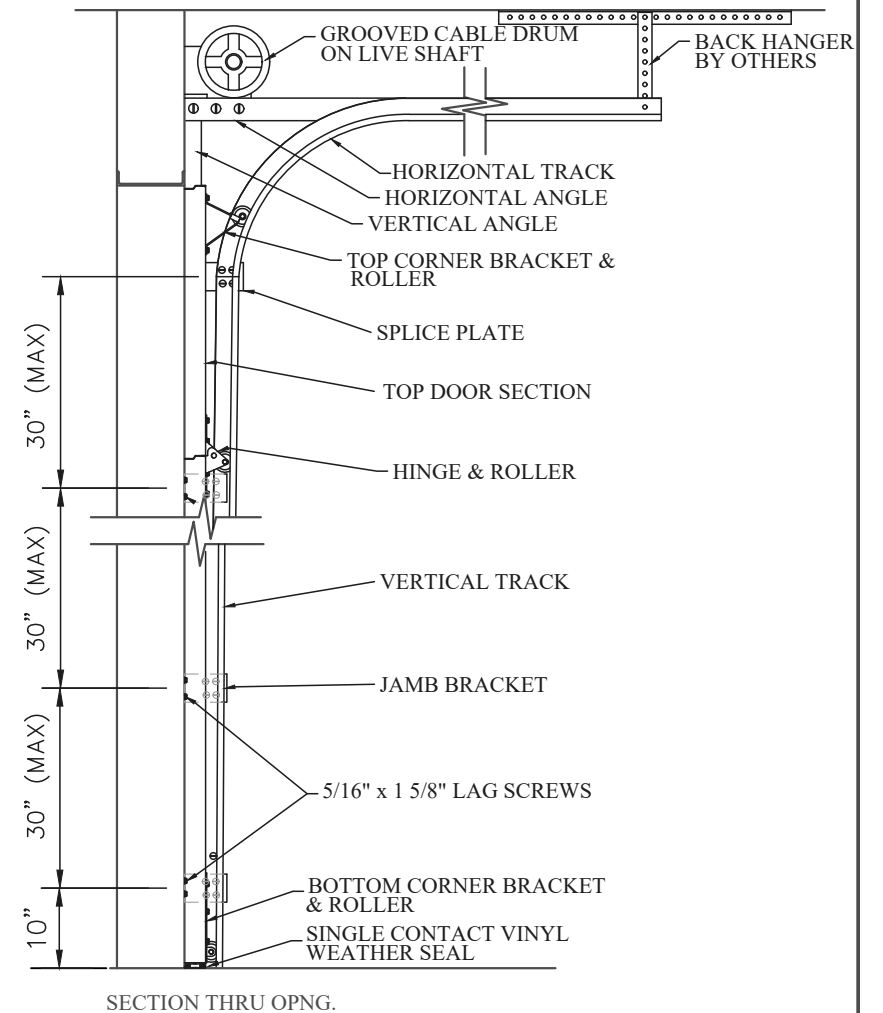
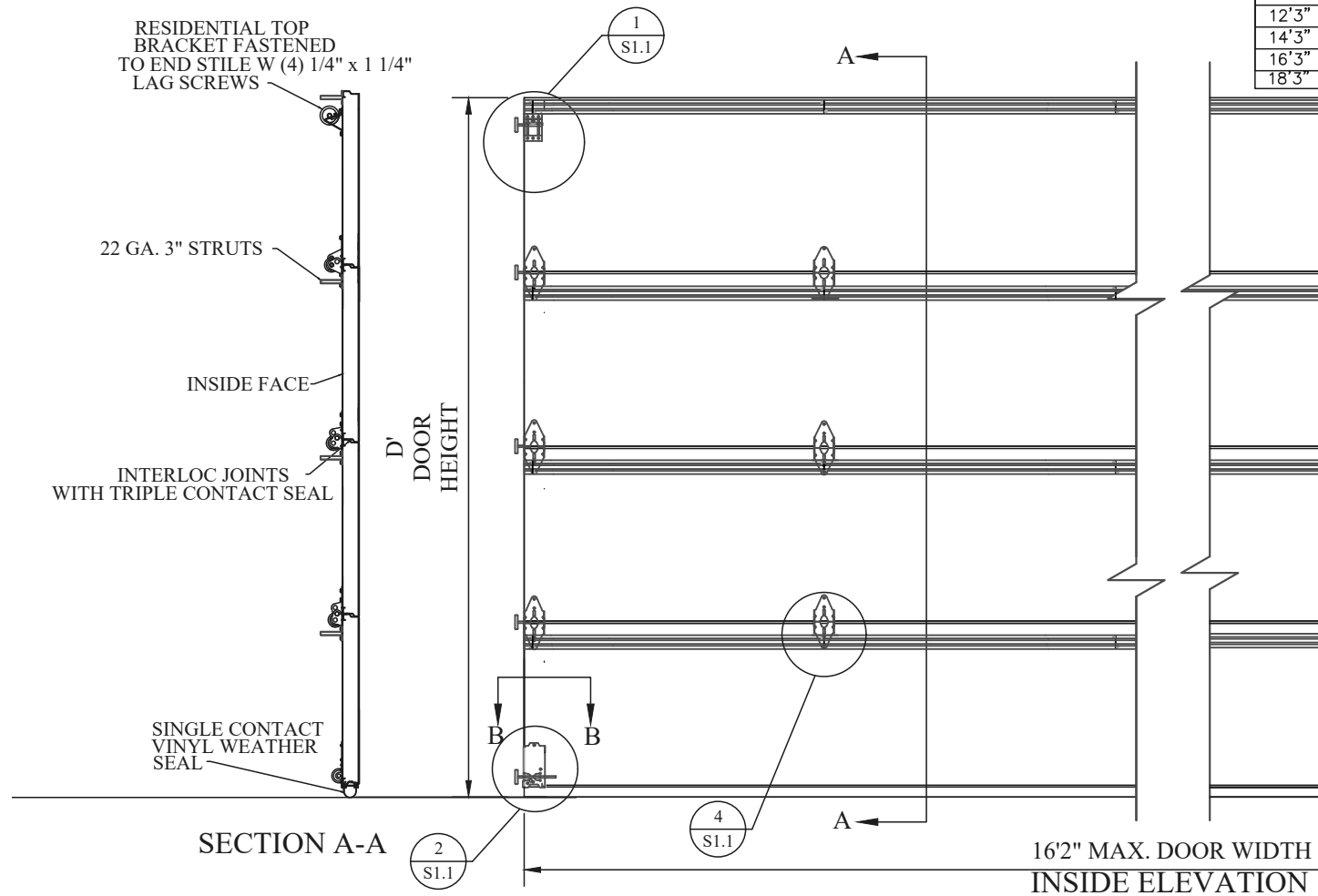


D	# OF STRUTS
6' to 8'	4 STRUTS
8'3" to 10'	5 STRUTS
10'3" to 12'	6 STRUTS
12'3" to 14'	7 STRUTS
14'3" to 16'	8 STRUTS
16'3" to 18'	9 STRUTS
18'3" to 20'	10 STRUTS

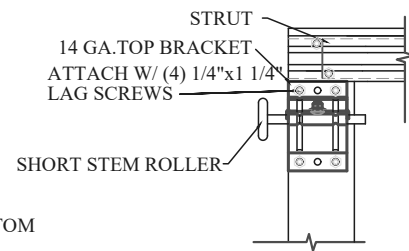
PLACE ONE STRUT ON EACH SECTION



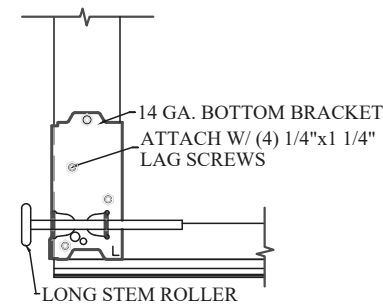
**NOTES:**

\* DOORS & HARDWARE WILL BE DESIGNED & MANUFACTURED & INSTALLED ACCORDING TO STANDARDS ESTABLISHED BY THE DOOR ACCESS SYSTEMS MANUFACTURING ASSOCIATION (DASMA).

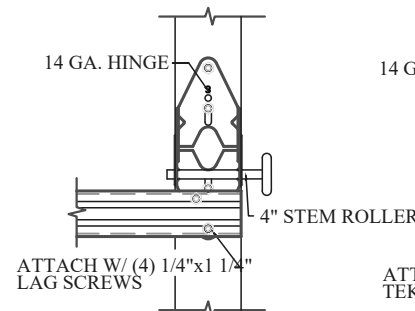
\* AN INSIDE SLIDE LOCK SHOULD BE MOUNTED ON END STILE APPROXIMATELY 31" FROM BOTTOM OF DOOR ON THE INTERIOR LEFT.



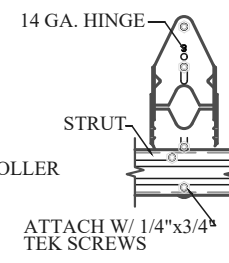
TOP BRACKET DETAIL  
DETAIL 1/S1.1



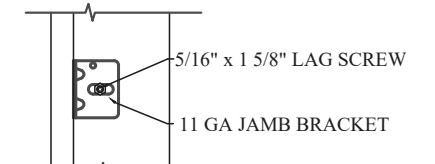
BOTTOM BRACKET DETAIL  
DETAIL 2/S1.1



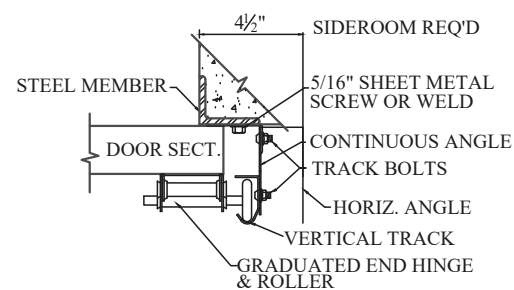
END HINGE DETAIL  
DETAIL 3/S1.1



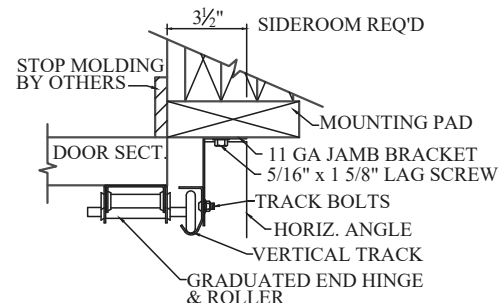
STRUT DETAIL  
DETAIL 4/S1.1



JAMB BRACKET DETAIL  
DETAIL 5/S1.1



STEEL JAMB DETAIL (TYPICAL)  
SECTION 'B-B'



WOOD JAMB DETAIL (TYPICAL)  
SECTION 'B-B'

MODELS: Standard+, G-5000, Top Tec  
Raised Panel 21"x13", 40"x13", 18 3/4"x15", Flush, Grooves, Overlay

DESIGN PRESSURE +13.6/-15.0 PSF  
TEST PRESSURE +20.4/-22.5 PSF  
TESTED PER THE APPLICABLE REQUIREMENTS OF:  
ASTM: E 330 ANSI/DASMA 108-2017

NOTE: THE DESIGN OF SUPPORTING STRUCTURAL ELEMENTS SHALL BE THE RESPONSIBILITY OF THE PROFESSIONAL OF RECORD FOR THE BUILDING OR STRUCTURE IN ACCORDANCE WITH CURRENT BUILDING CODES



BEMIDJI, MN 56601

ENGINEERING DRAWING



TITLE		16'2" MAX. WIDTH, WIND LOAD RATED DOOR	
MODEL	GARAGA 1 3/4" POLYURETHANE INJECTED	REV. NO.	0
SCALE	N/A	SHEET	OF
		DATE	