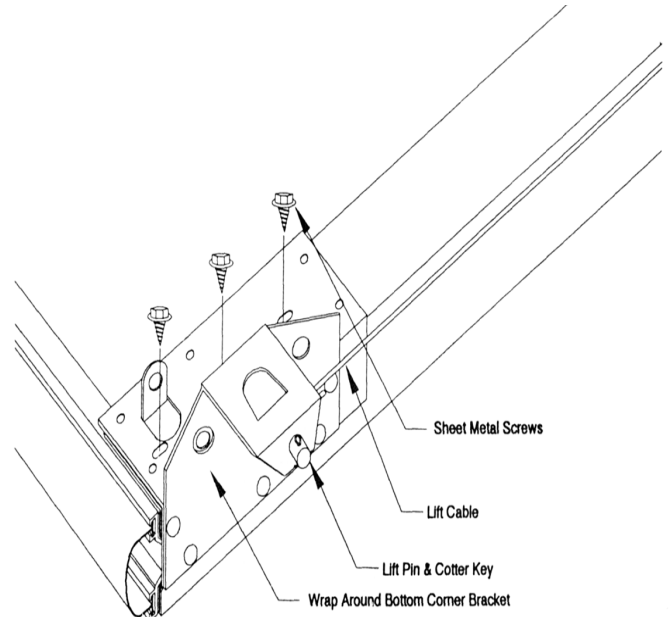


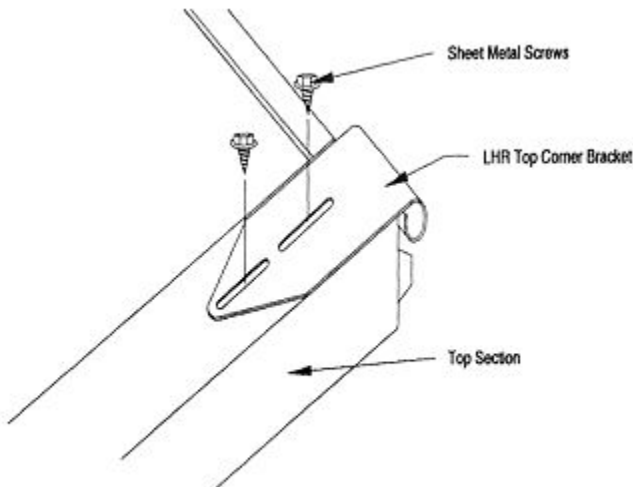
## Supplemental Instructions for Low Headroom Track Extension Springs

- These instructions are written to work in conjunction with the primary installation instructions. Please read them before beginning installation.
- Low headroom double track is designed to reduce your headroom requirement to 4". If low headroom track was ordered with your door, all the necessary brackets are included in your hardware carton for low headroom installation.
- Installation is similar to standard track except the cable is attached to the wrap around bottom corner bracket and rides on the outside of the track instead of the inside. See Figure 1.

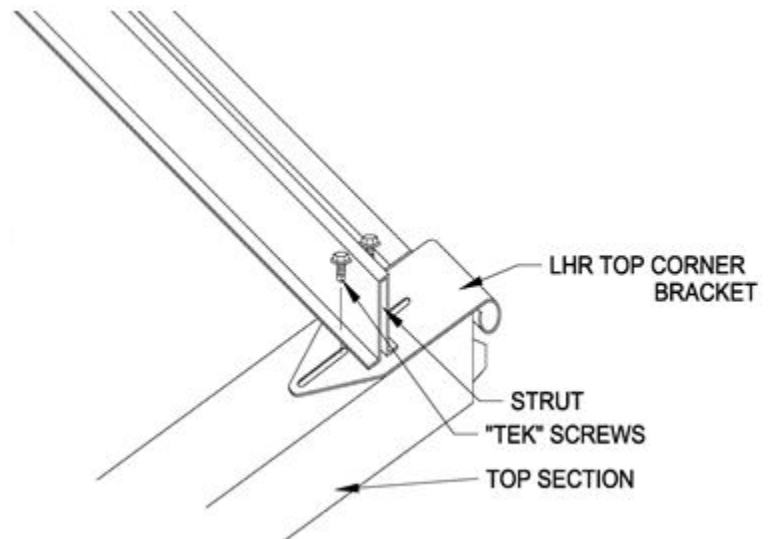


**Figure 1**

- The top bracket is also different to allow the top section to follow in the top track. See figure 2.
- If your door requires a strut 12' wide or wider, on the top section, or you are using a strut for operator reinforcement, it must be installed over the top of the top corner bracket, using the slots in the top corner bracket. See figure 2a.



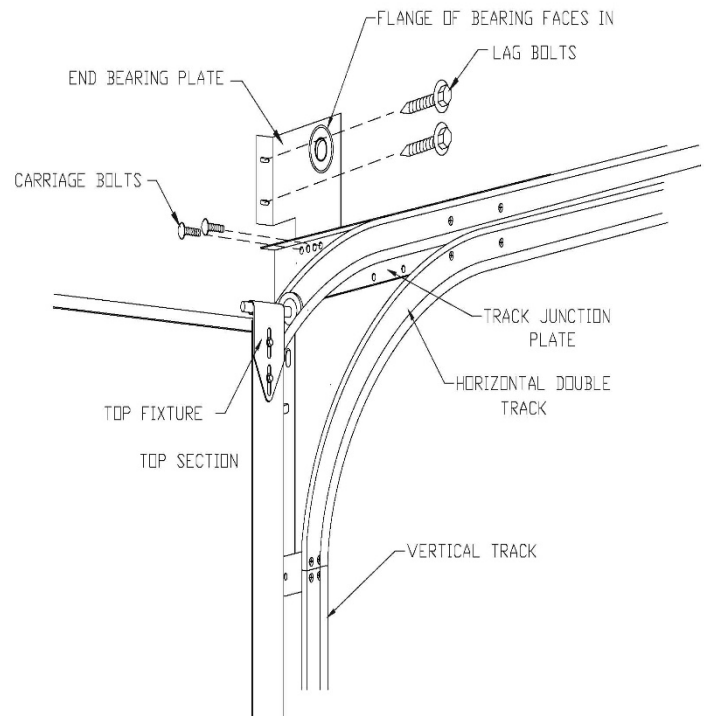
**Figure 2**



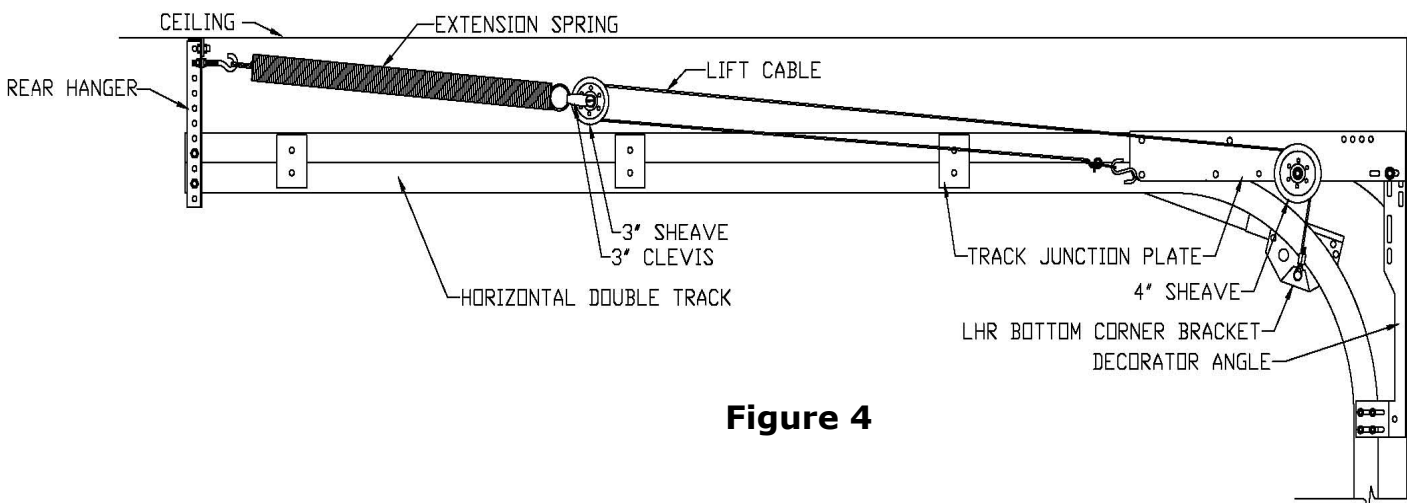
**Figure 2a**

- Should the door not seal properly with the top corner brackets in this position, the bracket may be turned around and moved up or down on the door as needed to obtain a tight seal.
- Installation of this track is similar to the standard installation except the vertical tracks are shorter, track junction plates are used instead of the horizontal angles, and there is a 2<sup>nd</sup> horizontal track for the top roller only. See figure 3.
- The position of the 4" sheave (pulley) is also changed. The 4" sheave (pulley) should be mounted 9" back from the front of the track in the hole provided on the outside of the track junction plate with 3/8" x 1 1/2" bolt and nut. See figure 4.

**Continue the installation as directed in the primary instructions.**



**Figure 3**



**Figure 4**