

Supplemental Instructions for Low Headroom Track Front Mount Torsion Springs

Minimum Headroom Requirement: 9" residential, 12" commercial

These instructions are written to work in conjunction with the primary installation instructions. Please read them before beginning any installation. You will notice the following differences from a standard installation:

- The top corner brackets are different and are installed at the very top of the top section. See figure 1. **If your door requires a strut on the top section, it must be installed over the top of the top bracket, using the holes in the top bracket. See figure 1a.**
- The vertical tracks are shorter than standard installation.
- The horizontal tracks are comprised of two tracks, the top track is for the very top roller only and the lower track is for all the other rollers.
- Two spacers are used on the torsion shaft. See figure 2. These spacers are used to keep the drums and cable from rubbing on the horizontal track.

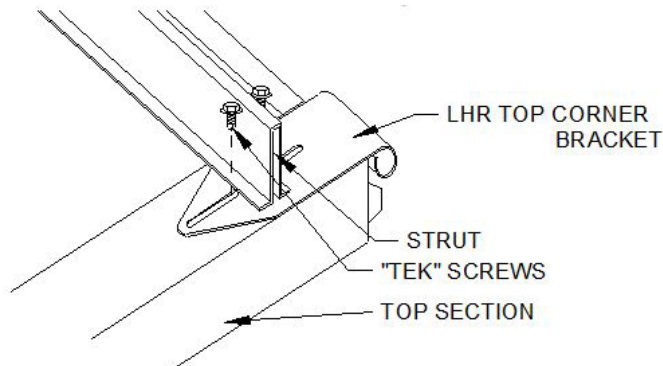


Figure 1a

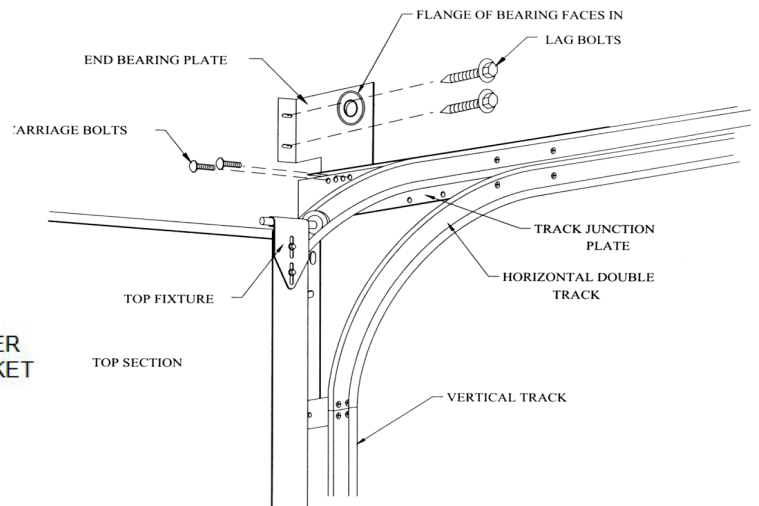


Figure 1

Where headroom permits, 12" minimum (commercial) and 9" minimum (residential), the torsion assembly may be mounted over the top of the door similar to standard installation while still using low headroom double track.

After mounting the horizontal tracks, as explained in the standard instructions, fasten the end bearing plates to the track junction plates and to the wall. Both the end bearing plate to the track junction plate with 5/16" x 3/4" carriage bolts and lag the end bearing plate foot to the wall with the 5/16" x 1 5/8" lag bolts provided. See figure 1.

Assemble the torsion shaft, springs, center bearing plate, drums and spacers as shown in figure 2. Then install the torsion shaft assembly exactly as described in your standard instructions.

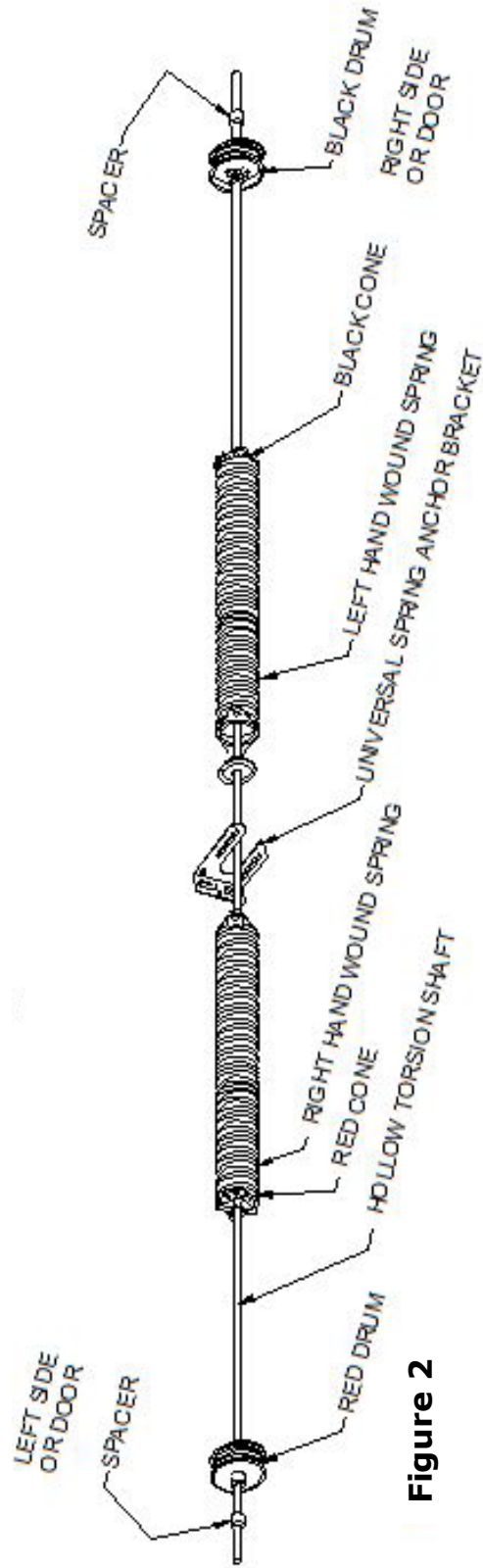


Figure 2