

Supplemental Instructions for Low Headroom Drums Outside of Track & Front Mount Torsion Springs

Minimum Headroom Requirement: 7" residential, 10" commercial

At **Step 2** of the Residential and Commercial installation instructions:

Attach the wrap around bottom corner bracket instead of the standard bottom corner bracket. This bracket allows the lift cables to ride on the outside of the track and keeps the cables from hanging up on the door during operation.

At **Step 14** of the Residential installation instructions and **Step 16** of the Commercial:

Attach the horizontal starter to the flag through the top track using 5/16" x 3/4" carriage bolt and flange nut with nut facing out away from the door, also attach the starter using the upper slot to the flag using a 5/16" x 3/4" carriage bolt and flange nut with the nut facing in towards the door. (See pictures below.)

Lag the starter into place using one lag through the slot of the LHR EBF/Starter bearing plate to the wall. (You may need to adjust the bolts connecting the starter to the track for the flange to sit flush against the wall.)



Commercial

Residential

At **Step 17** of the Residential installation instructions and **Step 8** of the Commercial:

Install the top corner brackets which have also been changed in order to obtain the minimum headroom requirement. If the door requires a strut, 12' wide or wider, on the top section, or you are using a strut for operator reinforcement, it must be installed over the top of the corner bracket, using the slots in the top corner bracket. See figure 1 below.

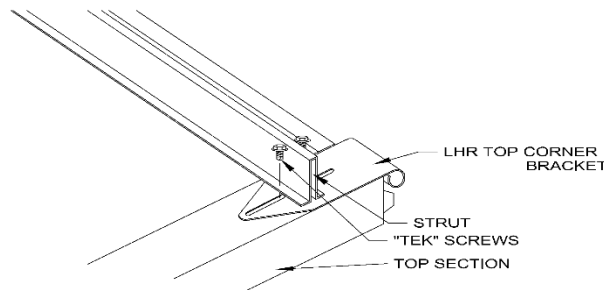


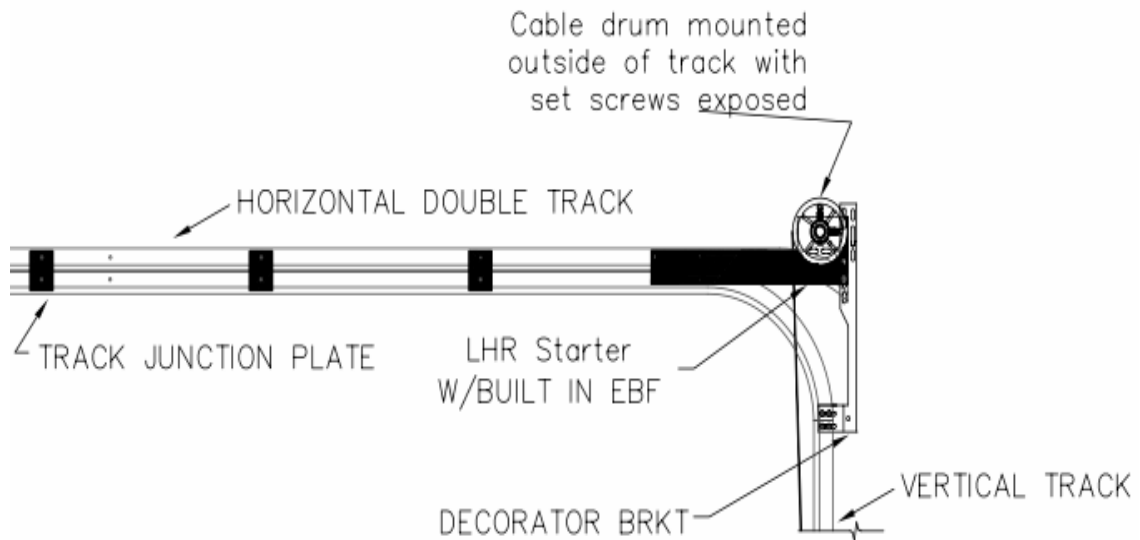
Figure 1

At **Step 20** of the Residential installation instructions and **Step 21** of the Commercial:
SKIP THIS STEP

At **Step 22** of the Residential and Commercial installation instructions:
Slide the 1" shaft bearing onto the shaft. Slide the torsion spring(s) on the shaft. The spring with the **RED** winding cone should go on the **RIGHT** side and the spring with the **BLACK** winding cone should go on the **LEFT** side.

At **Step 23** of the Residential and **Step 24** of the Commercial installation instructions:
SKIP THIS STEP

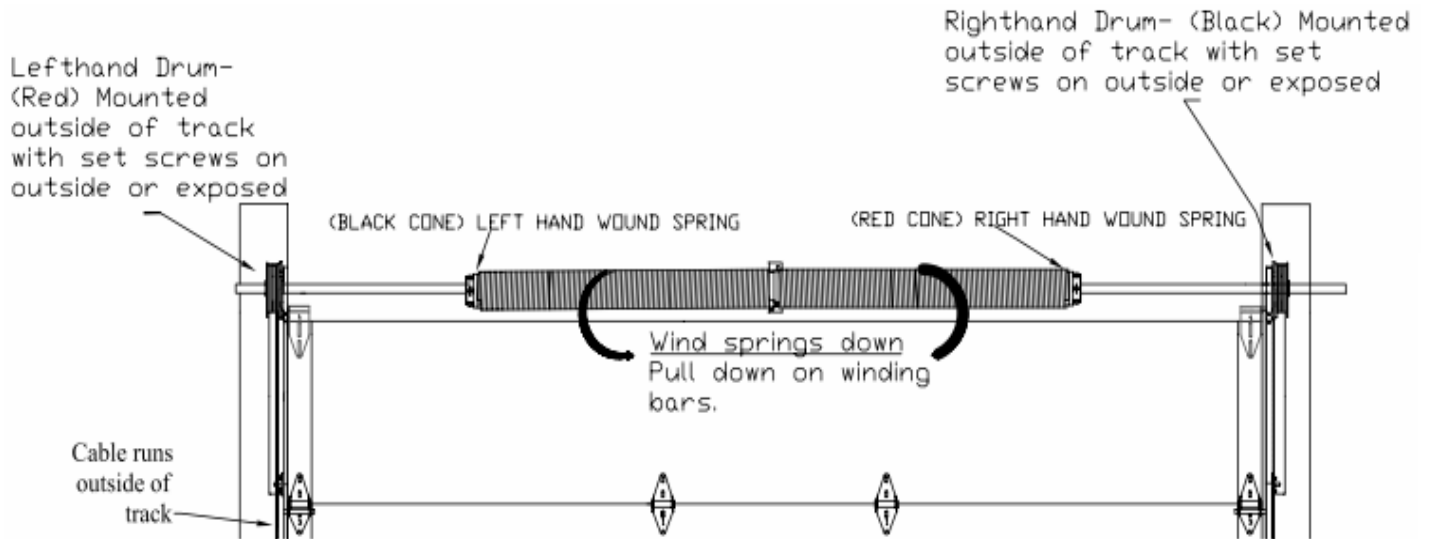
At **Step 27** of the Residential installation instructions and **Step 26** of the Commercial:
After the shaft is installed in the bearings of the starter, leveled, and the center bearing plate is installed, place cable drums on ends of shaft (outside of the bearing plates). The **RIGHT HAND** cable drum (**BLACK**) will remain on the **RIGHT SIDE** of the door, the **LEFT HAND** cable drum (**RED**) will remain on the **LEFT SIDE** of the door. **THE DRUMS WILL BE MOUNTED ON THE OUTSIDE OF THE TRACK, AND THE SET SCREWS WILL FACE AWAY FROM THE CENTER OF THE DOOR.** The drums will be on the outside of the track with **SET SCREWS FACING OUT** to allow for the cables to ride outside of the track.



Attach left side cable (Black drum) to wrap around bottom corner bracket using clevis and cotter pin, bring end of cable up **OUTSIDE** of the track to the top of the drum and insert in the slot of the drum. Slide the drum in until it butts up against the bearing on the starter/EBF. Rotate drum until the cable is tight. Make sure the slot is facing installer and tighten the set screws on the drum. To keep the shaft from counter rotating (loosening) use a vise grip pliers gripped around the shaft braced against the header to hold cable tight. Repeat attaching the cable on right side (Red drum).

At Step 31 of the Residential and Commercial installation instructions:
with the winding bars (two 1/2" constant diameter cold roll solid steel rods - 18" or longer)
wind the springs in a **DOWNWARD** direction until you reach the required number of
turns. Tighten the set screws until they dimple the torsion shaft. **WHEN WINDING
TORSION SPRINGS ON LOW HEADROOM FRONT DRUMS OUTSIDE OF TRACK,
YOU PULL DOWN OR WIND DOWN WITH THE WINDING BARS.**

**Special Note: Double check to always wind in the direction indicated by the cut-off end of
the spring wire.**



LOW HEADROOM INSTALLATION

