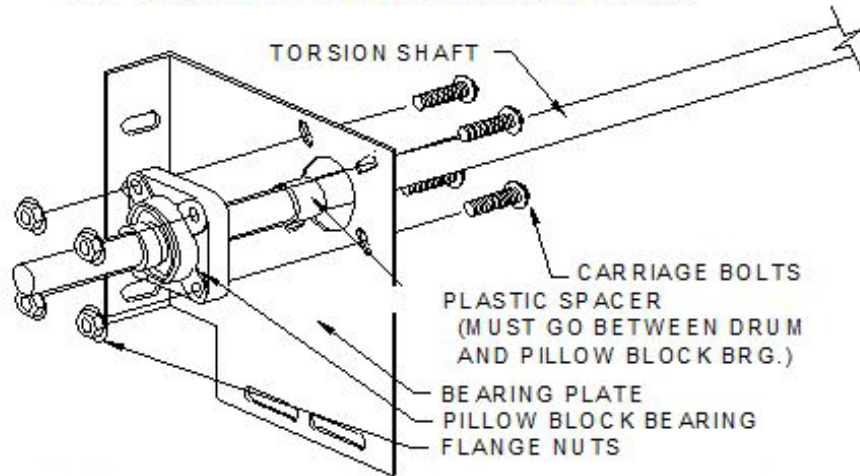
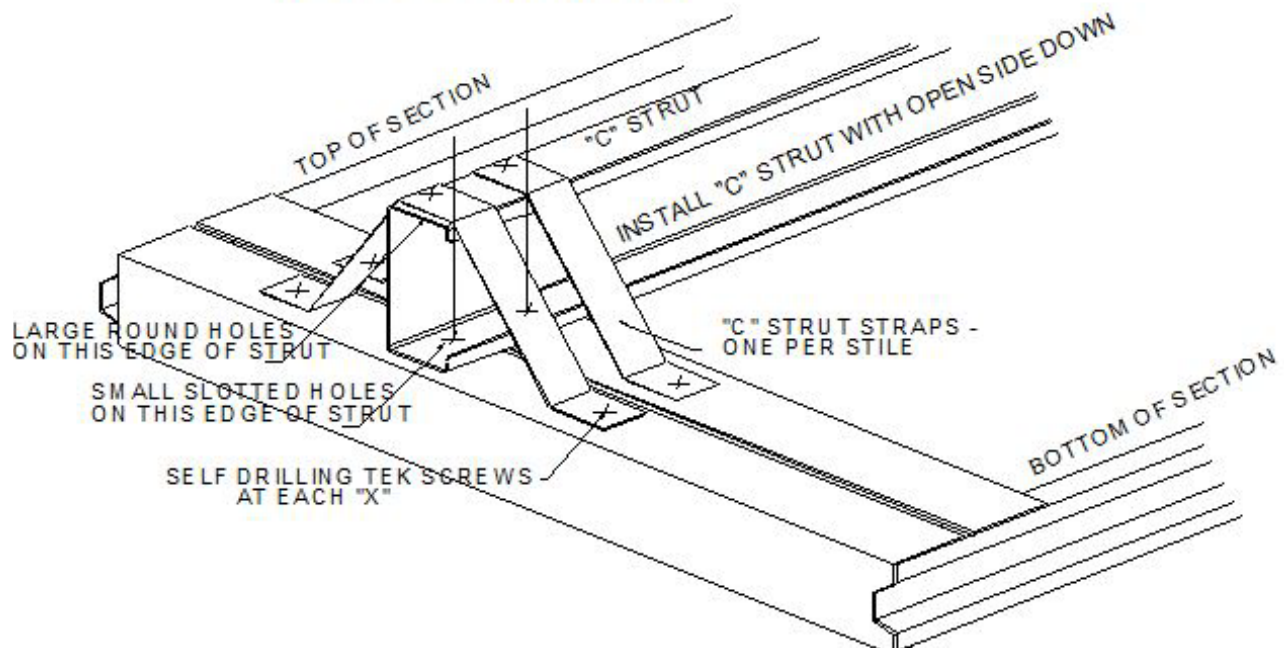


SUPPLEMENTAL INSTRUCTIONS FOR PILLOW BLOCK BEARING INSTALLATION



DUE TO THE LARGE SIZE OF THE OVERHEAD DOOR YOU HAVE PURCHASED PILLOW BLOCK BEARINGS HAVE BEEN SUPPLIED FOR ADDED STRENGTH AND SUPPORT. THE ABOVE DIAGRAM ILLUSTRATES THE INSTALLATION OF THE PILLOW BLOCK BEARING.

INSTALLATION DIAGRAM FOR "C" STRUTS



Special Note: When installing the "C" Strut on the top section of the door, first install the top corner brackets and then the "C" strut as close as possible to the top corner brackets.