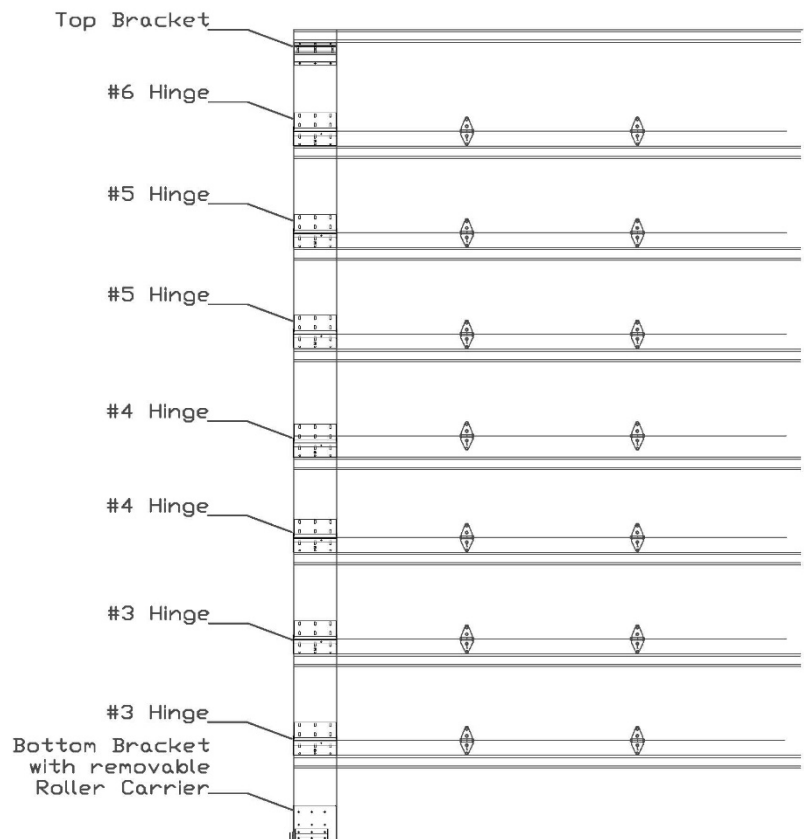


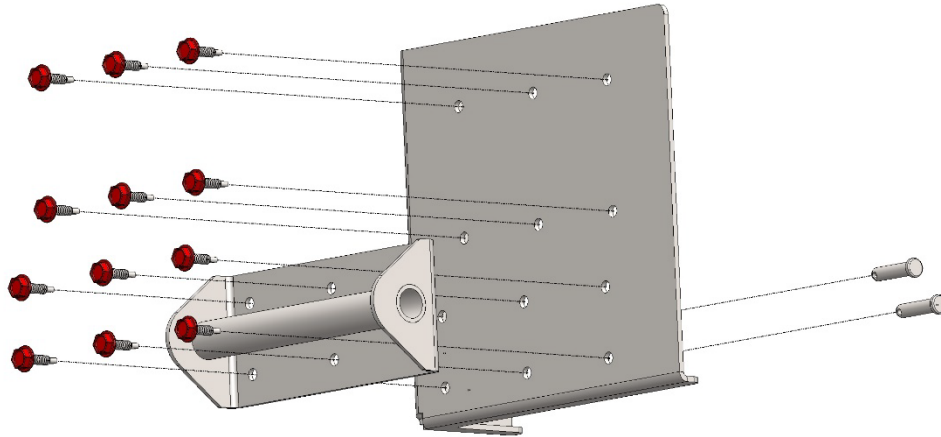
Supplemental Instructions

Triple End Stile & Heavy Duty Hardware

Triple end stile hardware will be installed similarly to standard hardware except with these differences:

- Install the cable to the bottom bracket base using clevis pin and keys. (If a single shaft door, always use the lowest hole in the bottom bracket base to install the cable)
- Install the bottom bracket base to the door using six 1/4" x 3/4" self-drilling red TEK screws.
- Install the removable roller carrier to the bottom bracket base and door using six more 1/4" x 3/4" self-drilling red TEK screws and insert your 5/8" stem roller.
- If the door is 8 sections tall or taller the hardware will come "double staged" meaning the hinges will be installed:
(3-3-4-4-5-5-6-6-7-7 and so on...)





This example drawing is for a TAS-III with 3” track (8 sections), 16’ tall.

All 3” doors with 8 sections or more will be double staged. (3-3-4-4-5-5-6 and so on...)